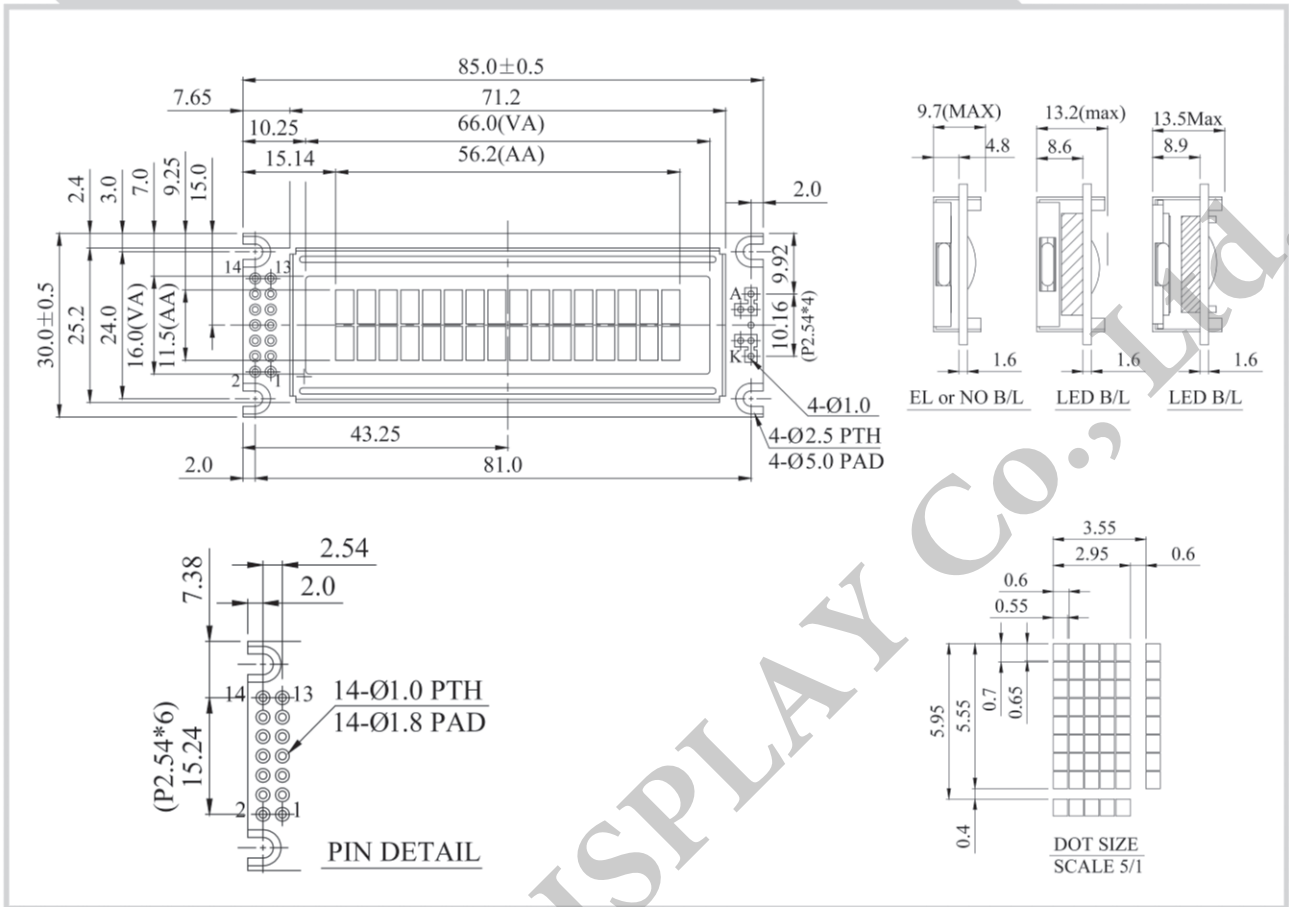


WH1602D Character 16x2



Feature

- 1.5x8 dots includes cursor
- Built-in controller (ST7066 or Equivalent)
- 3.5V power supply only
- N.V, optional for 3V power supply
- 1/16 duty cycle
- LED can be driven by PIN1, PIN2, or A and K
- Interface : 6800, option SPI/I2C (RW1063 IC)

| Pin No. | Symbol | Description |
|---------|-----------------|---------------------------------|
| 1 | V _{DD} | Power supply for logic |
| 2 | V _{SS} | Ground |
| 3 | V _O | Contrast Adjustment |
| 4 | RS | Data/ Instruction select signal |
| 5 | R/W | Read/Write select signal |
| 6 | E | Enable signal |
| 7 | DB0 | Data bus line |
| 8 | DB1 | Data bus line |
| 9 | DB2 | Data bus line |
| 10 | DB3 | Data bus line |
| 11 | DB4 | Data bus line |
| 12 | DB5 | Data bus line |
| 13 | DB6 | Data bus line |
| 14 | DB7 | Data bus line |

Mechanical Data

| Item | Standard Value | Unit |
|------------------|----------------|------|
| Module Dimension | 85.0 x 30.0 | mm |
| Viewing Area | 66.0 x 16.0 | mm |
| Mounting Hole | 81.0 x 24.0 | mm |
| Character Size | 2.95 x 5.55 | mm |

Electrical Characteristics

| Item | Symbol | Standard Value | Unit |
|---|--------------------|----------------|------|
| | | typ. | |
| Input Voltage | V _{DD} | 5.0 | V |
| Recommended LCD Driving Voltage for Normal Temp. Version module @25°C | V _{DD-VO} | 3.70 | V |

Display Character Address Code

| Display position | 1 | 2 | 3 | 4 | 5 | 6 | 7 | 8 | 9 | 10 | 11 | 12 | 13 | 14 | 15 | 16 |
|------------------|----|----|---|---|---|---|---|---|---|----|----|----|----|----|----|----|
| DD RAM Address | 00 | 01 | | | | | | | | | | | | | | 0F |
| DD RAM Address | 40 | 41 | | | | | | | | | | | | | | 4F |