

D

D

C

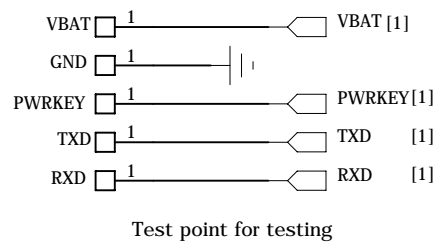
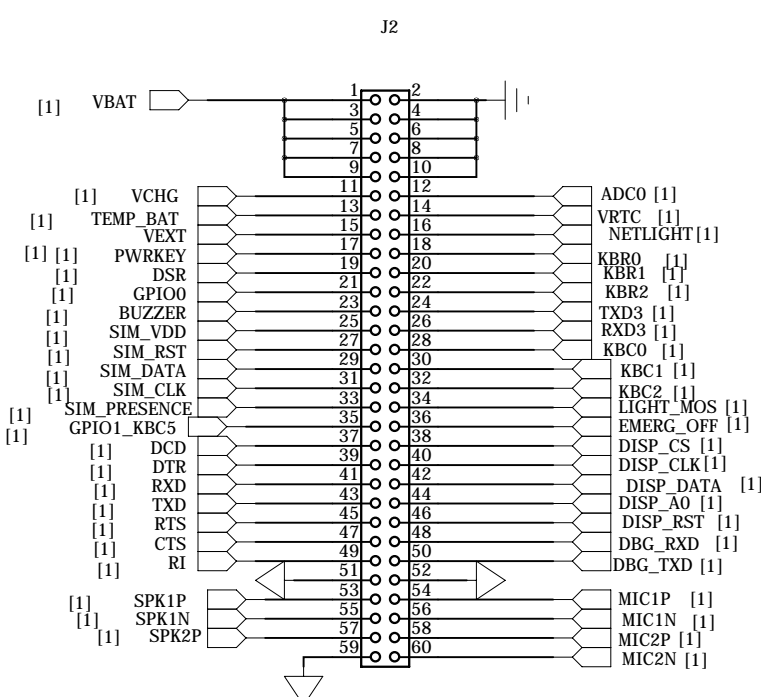
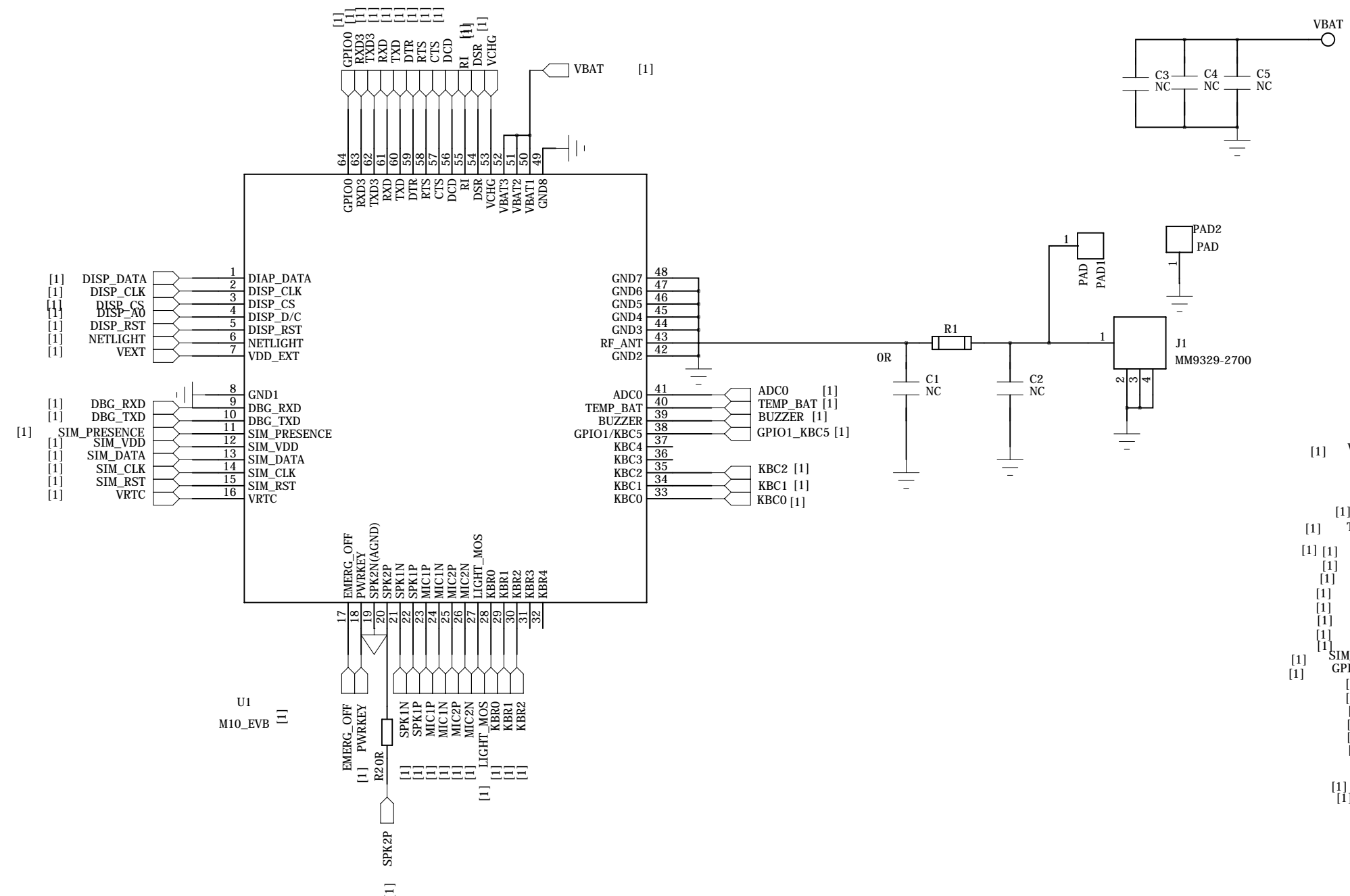
C

B

B

A

A



Quectel Technology		
DRAWN BY <NAME HERE>	PROJECT <MODULE NAME HERE>	TITLE <TITLE NAME HERE>
CHECKED BY <NAME HERE>	SIZE A3	VER <NO>
SHEET No of No		<DATE HERE>