



## Table of Contents

<b>1 Features</b> .....	1	8.3 Feature Description.....	8
<b>2 Applications</b> .....	1	8.4 Device Functional Modes.....	15
<b>3 Description</b> .....	1	8.5 Programming .....	15
<b>4 Revision History</b> .....	2	8.6 Register Maps .....	17
<b>5 Description (continued)</b> .....	3	<b>9 Application and Implementation</b> .....	28
<b>6 Pin Configuration and Functions</b> .....	3	9.1 Application Information.....	28
<b>7 Specifications</b> .....	4	9.2 Typical Application .....	28
7.1 Absolute Maximum Ratings .....	4	<b>10 Power Supply Recommendations</b> .....	30
7.2 ESD Ratings.....	4	<b>11 Layout</b> .....	30
7.3 Recommended Operating Conditions.....	4	11.1 Layout Guidelines .....	30
7.4 Thermal Information .....	4	11.2 Layout Example .....	31
7.5 Electrical Characteristics.....	4	<b>12 Device and Documentation Support</b> .....	32
7.6 I <sup>2</sup> C Interface Electrical Characteristics.....	5	12.1 Documentation Support .....	32
7.7 I <sup>2</sup> C Interface Timing Requirements.....	6	12.2 Receiving Notification of Documentation Updates	32
7.8 Timing Diagram.....	6	12.3 Community Resources.....	32
7.9 Typical Characteristics .....	6	12.4 Trademarks .....	32
<b>8 Detailed Description</b> .....	8	12.5 Electrostatic Discharge Caution.....	32
8.1 Overview .....	8	12.6 Glossary .....	32
8.2 Functional Block Diagram .....	8	<b>13 Mechanical, Packaging, and Orderable Information</b> .....	32

## 4 Revision History

### Changes from Revision A (October 2018) to Revision B

Page

• Added the pin type for DRDY/INT pin .....	3
• Changed description of behavior of TH_STATUS bit when INT_MODE is set to 1 .....	11
• Changed description of behavior of TH_STATUS bit when INT_MODE is set to 0 .....	11
• Changed description of behavior of TL_STATUS bit when INT_MODE is set to 1 .....	12
• Changed description of behavior of TL_STATUS bit when INT_MODE is set to 0 .....	12
• Changed description of behavior of HH_STATUS bit when INT_MODE is set to 1 .....	13
• Changed description of behavior of HH_STATUS bit when INT_MODE is set to 0 .....	13
• Changed description of behavior of HL_STATUS bit when INT_MODE is set to 1 .....	14
• Changed description of behavior of HL_STATUS bit when INT_MODE is set to 0 .....	14
• Changed the units for Humidity threshold low from: °C to: %RH.....	24
• Changed the temperature resolution decoding from: 8 bit to: 9 bit .....	26
• Changed the humidity resolution decoding from: 8 bit to: 9 bit .....	26
• Changed the measurement configuration "10" bit encoding from: Humidity Only to: NA for field MEAS_CONF[1:0] .....	26

### Changes from Original (May 2018) to Revision A

Page

• Changed header cell in the <i>Read Single Byte</i> table from: Slave address (R) to: Slave address (W) .....	16
• Changed header cell in the <i>Read Multi Byte</i> table from: Slave address (R) to: Slave address (W).....	16

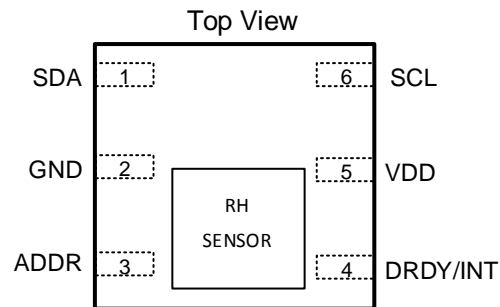
## 5 Description (continued)

Programmable temperature and humidity thresholds in the HDC2080 allow the device to send a hardware interrupt to wake up the microcontroller when necessary. In addition, the power consumption of the HDC2080 is significantly reduced, which helps to minimize self-heating and improve measurement accuracy.

The HDC2080 is factory-calibrated to 0.2°C temperature accuracy and 2% relative humidity accuracy.

## 6 Pin Configuration and Functions

**DMB Package  
6-Pin PWSON  
Top View**



**Pin Functions**

PIN		I/O	DESCRIPTION
NAME	NO.		
SDA	1	I/O	Serial data line for I <sup>2</sup> C, open-drain; requires a pullup resistor to V <sub>DD</sub>
GND	2	G	Ground
ADDR	3	I	Address select pin – leave unconnected or hardwired to V <sub>DD</sub> or GND. Unconnected slave address: 1000000 GND: slave address: 1000000 V <sub>DD</sub> : slave address: 1000001
DRDY/INT	4	O	Data ready/Interrupt. Push-pull output
V <sub>DD</sub>	5	P	Positive Supply Voltage
SCL	6	I	Serial clock line for I <sup>2</sup> C, open-drain; requires a pullup resistor to V <sub>DD</sub>

## 7 Specifications

### 7.1 Absolute Maximum Ratings<sup>(1)</sup>

		MIN	MAX	UNIT
V <sub>DD</sub>	Input Voltage	-0.3	3.9	V
GND	Input Voltage	-0.3	3.9	V
ADDR	Input Voltage	-0.3	3.9	V
SCL	Input Voltage	-0.3	3.9	V
SDA	Input Voltage	-0.3	3.9	V
T <sub>stg</sub>	Storage temperature	-65	150	°C

- (1) Stresses beyond those listed under *Absolute Maximum Rating* may cause permanent damage to the device. These are stress ratings only, which do not imply functional operation of the device at these or any other conditions beyond those indicated under *Recommended Operating Condition*. Exposure to absolute-maximum-rated conditions for extended periods may affect device reliability.

### 7.2 ESD Ratings

		VALUE	UNIT
V <sub>(ESD)</sub>	Electrostatic discharge	Human body model (HBM), per ANSI/ESDA/JEDEC JS-001, all pins <sup>(1)</sup>	±2000
		Charged device model (CDM), per JEDEC specification JESD22-C101, all pins <sup>(2)</sup>	±500

- (1) JEDEC document JEP155 states that 500-V HBM allows safe manufacturing with a standard ESD control process.  
 (2) JEDEC document JEP157 states that 250-V CDM allows safe manufacturing with a standard ESD control process.

### 7.3 Recommended Operating Conditions

over operating range (unless otherwise noted)

		MIN	NOM	MAX	UNIT
V <sub>DD</sub>	Voltage Supply	1.62		3.6	V
T <sub>TEMP</sub>	Temperature Sensor - Operating free-air temperature	-40		125	°C
T <sub>RH</sub>	Relative Humidity Sensor - Operating free-air temperature	-20		70	°C
T <sub>HEATER</sub>	Integrated Heater - Operating free-air temperature	-40		85	°C

### 7.4 Thermal Information

THERMAL METRIC <sup>(1)</sup>		HDC2080	UNIT
		PWSON (DMB)	
		6 PINS	
R <sub>θJA</sub>	Junction-to-ambient thermal resistance	56.4	°C/W
R <sub>θJC(top)</sub>	Junction-to-case (top) thermal resistance	73.6	°C/W
R <sub>θJB</sub>	Junction-to-board thermal resistance	24.0	°C/W
Ψ <sub>JT</sub>	Junction-to-top characterization parameter	3.8	°C/W
Ψ <sub>JB</sub>	Junction-to-board characterization parameter	24.0	°C/W
R <sub>θJC(bot)</sub>	Junction-to-case (bottom) thermal resistance	13.0	°C/W

- (1) For more information about traditional and new thermal metrics, see the [Semiconductor and IC Package Thermal Metrics](#) application report.

### 7.5 Electrical Characteristics

at T<sub>A</sub> = 30°C, V<sub>DD</sub> = 1.8 V, 20% ≤ RH ≤ 80% (unless otherwise noted)

PARAMETER	TEST CONDITIONS	MIN	TYP	MAX	UNIT
<b>ELECTRICAL SPECIFICATION</b>					
V <sub>DD</sub>	Supply Voltage	Operating Range		3.6	V
I <sub>DD</sub>	Supply current	RH measurement <sup>(1)</sup>		890	μA

- (1) I2C read/write communication and pull up resistors current through SCL, SDA not included.

## Electrical Characteristics (continued)

at  $T_A = 30^\circ\text{C}$ ,  $V_{DD} = 1.8\text{ V}$ ,  $20\% \leq \text{RH} \leq 80\%$  (unless otherwise noted)

PARAMETER		TEST CONDITIONS	MIN	TYP	MAX	UNIT
$I_{DD}$	Supply current	Temperature measurement <sup>(1)</sup>		550	730	$\mu\text{A}$
$I_{DD}$	Supply current	Sleep Mode		0.05	0.1	$\mu\text{A}$
$I_{DD}$	Supply current	Average at 1 measurement/second, RH or temperature only <sup>(1) (2)</sup>		0.3		$\mu\text{A}$
$I_{DD}$	Supply current	Average at 1 measurement/second, RH (11 bit)+temperature (11 bit) <sup>(1) (2)</sup>		0.55		$\mu\text{A}$
$I_{DD}$	Supply current	Average at 1 measurement every 2 seconds, RH (11 bit) + temperature (11 bit) <sup>(1) (2)</sup>		0.3		$\mu\text{A}$
$I_{DD}$	Supply current	Average @ 1 measurement every 10 seconds, RH (11 bit)+temperature (11 bit)		0.105		$\mu\text{A}$
$I_{DD}$	Supply current	Startup (average on startup time)		80		$\mu\text{A}$
$I_{DDHEAT}$	Integrated Heater (when enabled) <sup>(3)</sup>	$V_{DD} = 3.3\text{ V}$ and $T_A = -40^\circ\text{C}$ to $85^\circ\text{C}$		90		$\text{mA}$
<b>RELATIVE HUMIDITY SENSOR</b>						
$\text{RH}_{ACC}$	Accuracy <sup>(4) (5) (6)</sup>			$\pm 2$	$\pm 3$	%RH
$\text{RH}_{REP}$	Repeatability <sup>(7)</sup>	14 bit resolution		$\pm 0.1$		%RH
$\text{RH}_{HYS}$	Hysteresis <sup>(8)</sup>			$\pm 1$		%RH
$\text{RH}_{RT}$	Response Time <sup>(9)</sup>	$t_{63\% \text{ step}}^{(10)}$		8		sec
$\text{RH}_{CT}$	Conversion-time <sup>(7)</sup>	9 bit accuracy		275		$\mu\text{s}$
$\text{RH}_{CT}$	Conversion-time <sup>(7)</sup>	11 bit accuracy		400		$\mu\text{s}$
$\text{RH}_{CT}$	Conversion-time <sup>(7)</sup>	14 bit accuracy		660		$\mu\text{s}$
$\text{RH}_{OR}$	Operating range	Non-condensing <sup>(11)</sup>	0		100	%RH
$\text{RH}_{LTD}$	Long-term Drift <sup>(12)</sup>			$\pm 0.25$		%RH/yr
<b>TEMPERATURE SENSOR</b>						
$\text{TEMP}_{OR}$	Operating range		-40		125	$^\circ\text{C}$
$\text{TEMP}_{AC}$	Accuracy <sup>(7)</sup>	$5^\circ\text{C} < T_A < 60^\circ\text{C}$		$\pm 0.2$	$\pm 0.4$	$^\circ\text{C}$
$\text{TEMP}_{RE}$	Repeatability <sup>(7)</sup>	14 bit resolution		$\pm 0.1$		$^\circ\text{C}$
$\text{TEMP}_{CT}$	Conversion-time <sup>(7)</sup>	9 bit accuracy		225		$\mu\text{s}$
$\text{TEMP}_{CT}$	Conversion-time <sup>(7)</sup>	11 bit accuracy		350		$\mu\text{s}$
$\text{TEMP}_{CT}$	Conversion-time <sup>(7)</sup>	14 bit accuracy		610		$\mu\text{s}$

(2) Average current consumption while conversion is in progress.

(3) Heater operating range:  $-40^\circ\text{C}$  to  $85^\circ\text{C}$ .

(4) Excludes hysteresis and long-term drift.

(5) Excludes the impact of dust, gas phase solvents and other contaminants such as vapors from packaging materials, adhesives, or tapes, etc.

(6) Limits apply over the humidity operating range 20 to 80% RH (non-condensing) from 0 to  $60^\circ\text{C}$ .

(7) This parameter is specified by design and/or characterization and is not tested in production.

(8) The hysteresis value is the difference between an RH measurement in a rising and falling RH environment, at a specific RH point.

(9) Actual response times will vary dependent on system thermal mass and air-flow.

(10) Time for the RH output to change by 63% of the total RH change after a step change in environmental humidity.

(11) Recommended humidity operating range is 20 to 80% RH (non-condensing) over 0 to  $60^\circ\text{C}$ . Prolonged operation beyond these ranges may result in a shift of sensor reading, with slow recovery time.

(12) Drift due to aging effects at typical conditions ( $30^\circ\text{C}$  and 20% to 50% RH). This value may be impacted by dust, vaporized solvents, outgassing tapes, adhesives, packaging materials, etc.

## 7.6 I<sup>2</sup>C Interface Electrical Characteristics

At  $T_A = 30^\circ\text{C}$ ,  $V_{DD} = 3.3\text{ V}$  (unless otherwise noted).

PARAMETER		TEST CONDITIONS	MIN	TYP	MAX	UNIT
$V_{IH}$	Input High Voltage		$0.7 \times V_{DD}$			V
$V_{IL}$	Input Low Voltage				$0.3 \times V_{DD}$	V

## I<sup>2</sup>C Interface Electrical Characteristics (continued)

At  $T_A = 30^\circ\text{C}$ ,  $V_{DD} = 3.3\text{ V}$  (unless otherwise noted).

PARAMETER		TEST CONDITIONS	MIN	TYP	MAX	UNIT
$V_{OL}$	Output Low Voltage	$I_{OL} = 3\text{ mA}$			0.4	V
HYS	Hysteresis		0.1 x $V_{DD}$			V
$C_{IN}$	Input Capacitance on all digital pins <sup>(1)</sup>			0.5		pF

(1) This parameter is specified by design and/or characterization and it is not tested in production.

## 7.7 I<sup>2</sup>C Interface Timing Requirements

At  $T_A = 30^\circ\text{C}$ ,  $V_{DD} = 1.8\text{ V}$  (unless otherwise noted); values are based on statistical analysis of samples tested during initial release

		MIN	TYP	MAX	UNIT
$f_{SCL}$	Clock Frequency <sup>(1)</sup>	10		400	kHz
$t_{LOW}$	Clock Low Time <sup>(1)</sup>	1.3			$\mu\text{s}$
$t_{HIGH}$	Clock High Time <sup>(1)</sup>	0.6			$\mu\text{s}$

(1) This parameter is specified by design and/or characterization and it is not tested in production.

## 7.8 Timing Diagram

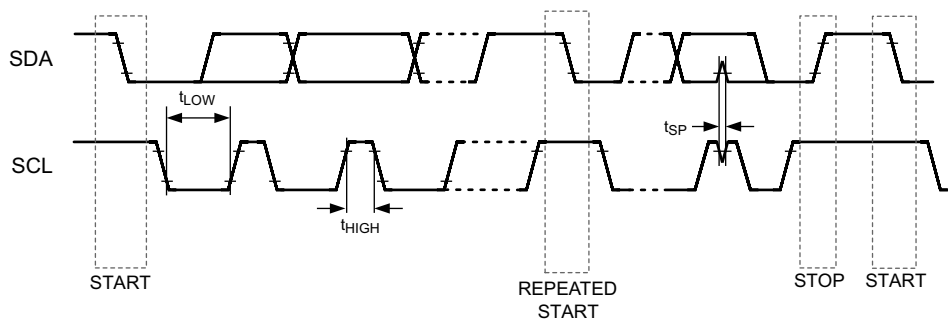


Figure 1. I2C Timing

## 7.9 Typical Characteristics

Unless otherwise noted.  $T_A = 30^\circ\text{C}$ ,  $V_{DD} = 1.80\text{ V}$ .

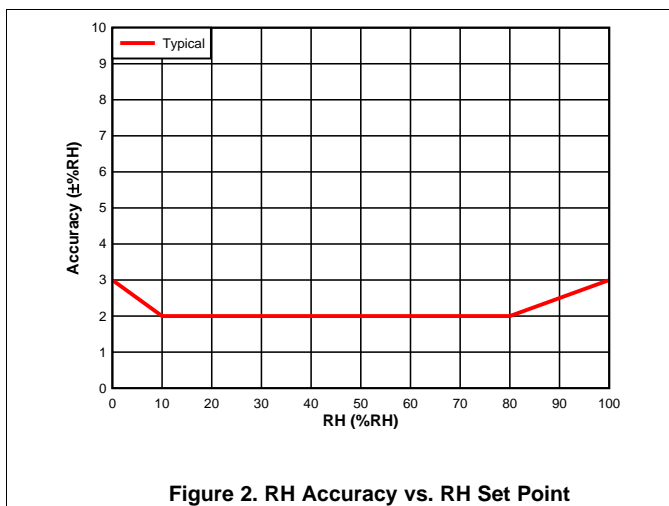


Figure 2. RH Accuracy vs. RH Set Point

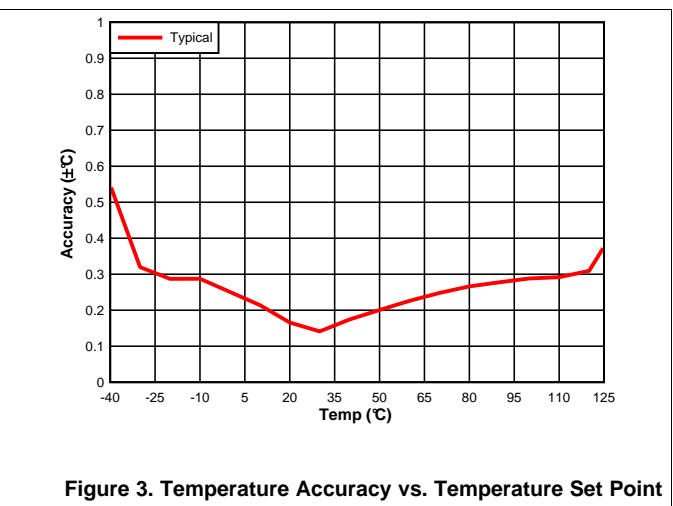


Figure 3. Temperature Accuracy vs. Temperature Set Point

Typical Characteristics (continued)

Unless otherwise noted.  $T_A = 30^\circ\text{C}$ ,  $V_{DD} = 1.80\text{ V}$ .

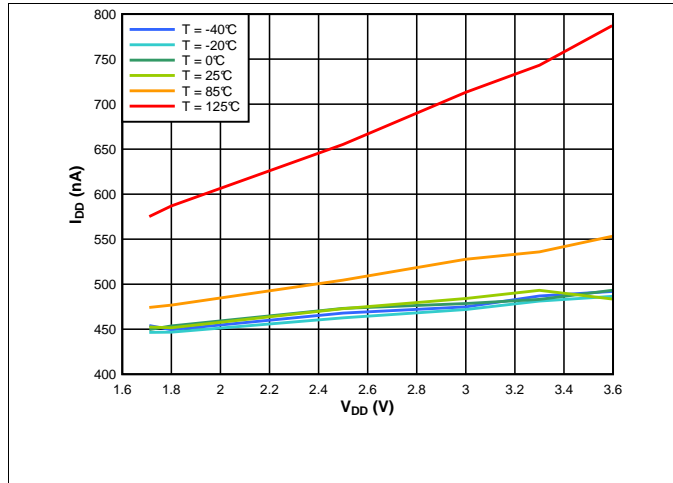


Figure 4. Supply Current vs. Supply Voltage, Average at 1 Measurement/Second, RH (11 Bit) and Temperature (11 Bit)

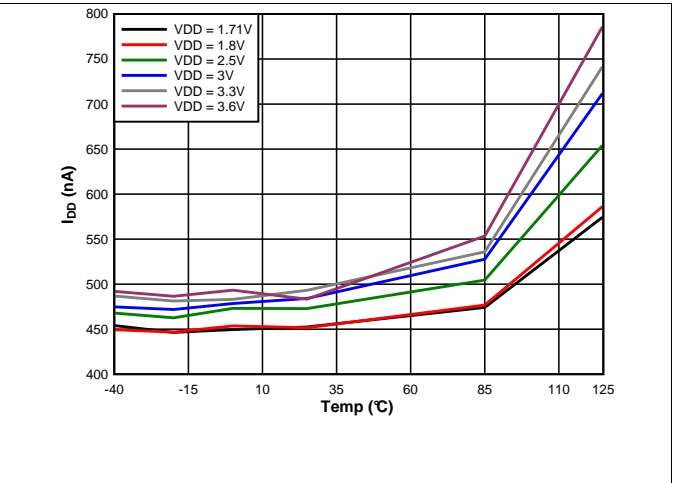


Figure 5. Supply Current vs. Temperature, Average at 1 Measurement/Second, RH (11 Bit) and Temperature (11 Bit)

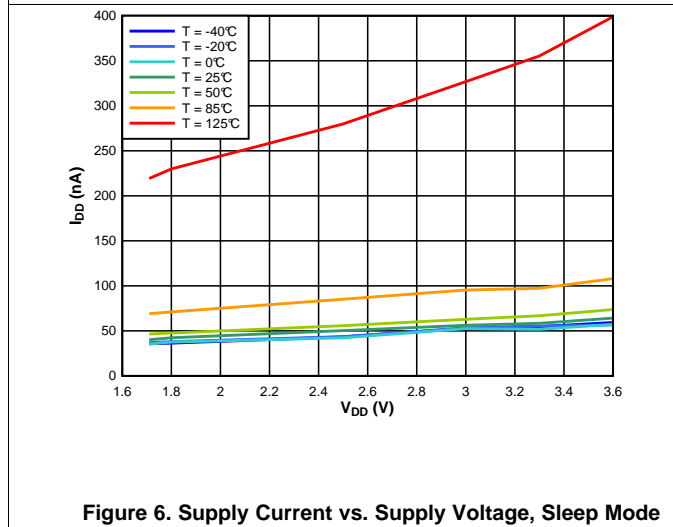


Figure 6. Supply Current vs. Supply Voltage, Sleep Mode

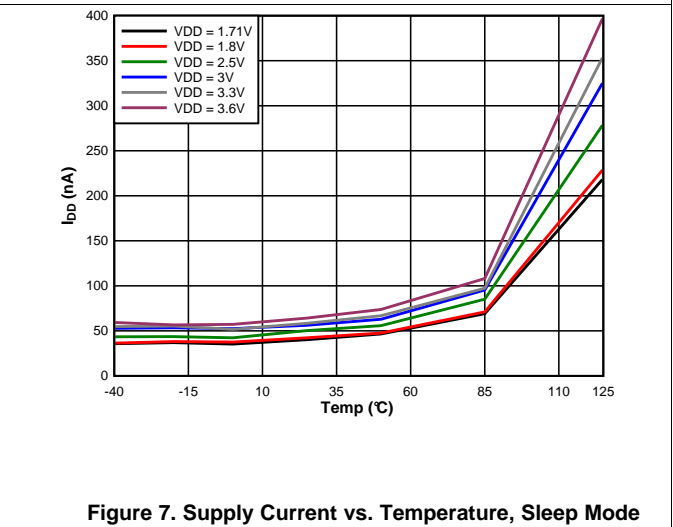


Figure 7. Supply Current vs. Temperature, Sleep Mode

## 8 Detailed Description

### 8.1 Overview

The HDC2080 is a highly integrated digital humidity and temperature sensor that incorporates both humidity-sensing and temperature-sensing elements, an analog-to-digital converter, calibration memory, and an I<sup>2</sup>C interface that are all contained in a 3.00-mm × 3.00-mm 6-pin WSON package. The HDC2080 provides excellent measurement accuracy with very low power consumption and features programmable resolution for both humidity and temperature:

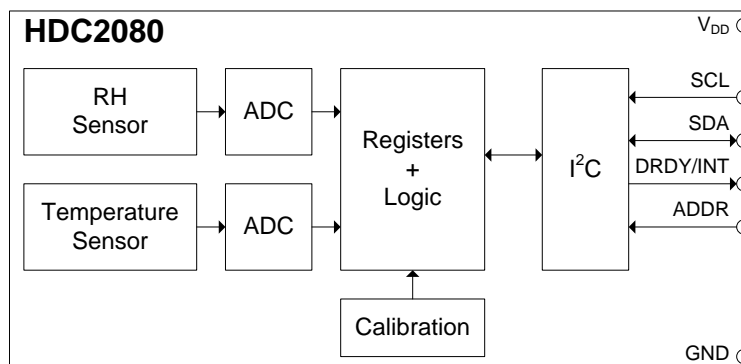
- Temperature resolution [9, 11, 14]
- Humidity resolution [9, 11, 14]

The conversion time during measurements is dependent upon the configured resolution for humidity and temperature, which can be configured for optimal power consumption.

The HDC2080 device incorporates a state-of-the-art polymer dielectric to provide capacitive-sensing measurements. As with most relative humidity sensors that include this type of technology, the user must meet certain application requirements to ensure optimal device performance for the sensing element. The user must:

- Follow the correct storage and handling procedures during board assembly. See [Humidity Sensor: Storage And Handling Guidelines](#) (SNIA025) for these guidelines.
- Protect the sensor from contaminants during board assembly and operation.
- Reduce prolonged exposure to both high temperature and humidity extremes that may impact sensor accuracy.
- Follow the correct layout guidelines for best performance. See [Optimizing Placement and Routing for Humidity Sensors](#) (SNAA297) for these guidelines.

### 8.2 Functional Block Diagram



### 8.3 Feature Description

#### 8.3.1 Sleep Mode Power Consumption

One key feature of the HDC2080 is the low power consumption of the device, which makes the HDC2080 suitable in battery-powered or energy-harvesting applications. In these applications, the HDC2080 spends most of the time in sleep mode that has a typical current consumption of 50 nA. This minimizes the average power consumption and self-heating.

#### 8.3.2 Measurement Modes: Trigger on Demand vs. Auto Measurement

Two types of measurement modes are available on the HDC2080: Trigger on Demand and Auto Mode.

Trigger on Demand is when each measurement reading are initiated through an I<sup>2</sup>C command on an as-needed basis. After the measurement is converted, the device remains in sleep mode until another I<sup>2</sup>C command is received.



## Feature Description (continued)

Auto Measurement Mode is when the HDC2080 is programmed to perform measurement readings on a periodic basis, thus eliminating the need to initiate a measurement request through an I<sup>2</sup>C command and improves power consumption. The user can adjust the Soft Reset and Interrupt Configuration register to select one of 7 different sampling rates (the range spans from 1 sample every 2 minutes to 5 samples/second). In Auto Measurement Mode, the HDC2080 wakes up from sleep to measurement mode based on the selected sampling rate.

### 8.3.3 Heater

The HDC2080 includes an integrated heating element that can be switched on briefly to prevent or remove any condensation that may build up in high humidity environments. Additionally, the heater can be used to verify functionality of the integrated temperature sensor. The operating range of the heater should be limited to –40°C to 85°C. For 3.3-V operation, the heater will have a typical current draw of 90 mA, and 55 mA at 1.8-V operation.

### 8.3.4 Interrupt Description

---

#### NOTE

When multiple bits are enabled, the DRDY/INT pin can only reflect the status of one interrupt bit at a time. The DRDY/INT pin DOES NOT function as the logical 'OR' of interrupt bits that have been enabled.

The highest priority is given to TH\_ENABLE bit, followed by TL\_ENABLE, HH\_ENABLE, and HL\_ENABLE bits in descending order. Therefore, programming recommendations are provided as below:

- The DRDY/INT will track the HL\_ENABLE if enabled and all other ENABLE bits are disabled
  - The DRDY/INT will track the HH\_ENABLE if enabled and the TH\_ENABLE and TL\_ENABLE are disabled
  - The DRDY/INT will track the TL\_ENABLE if enabled and the TH\_ENABLE is disabled
  - The DRDY/INT will track the TH\_ENABLE if enabled and is independent of other ENABLE bit settings
-

## Feature Description (continued)

### 8.3.4.1 DRDY

When DRDY\_ENABLE is enabled and a humidity and/or temperature conversion is complete, the DRDY\_STATUS bit asserts to 1. To enable the DRDY/INT pin of HDC2080, the DRDY/INT\_EN bit (0x0E bit[2]) must be set to 1 and the INT\_MOD bit should be set to 0. If these bits are not configured, the pin will be left in high impedance. The INT\_POL bit of this register defines the interrupt polarity of the DRDY/INT pin. Figure 8 and Figure 9 display the output behavior of the DRDY/INT pin for both interrupt polarity cases: INT\_POL= 0 and INT\_POL= 1.

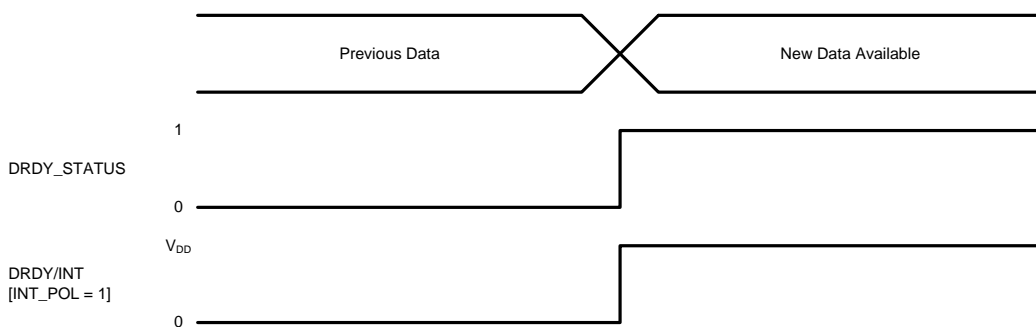


Figure 8. Data Ready Interrupt - Active High (INT\_POL = 1)

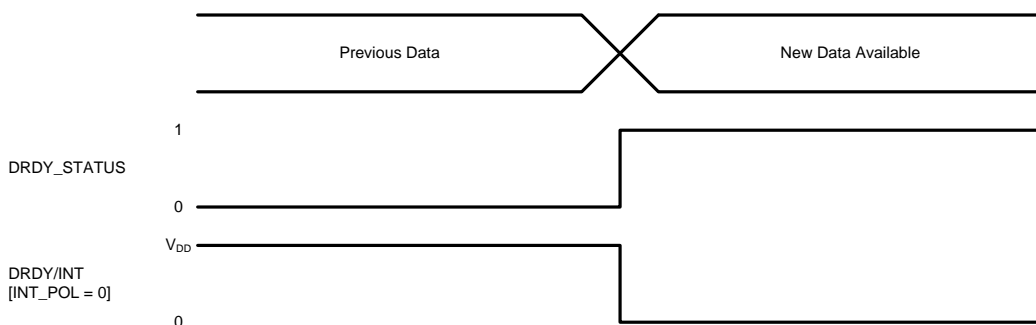


Figure 9. Data Ready Interrupt - Active Low (INT\_POL = 0)

## Feature Description (continued)

### 8.3.5 INTERRUPT on Threshold

#### 8.3.5.1 Temperature High

When TH\_ENABLE is enabled and the temperature is over the programmed threshold level stored in the Temperature Threshold HIGH register, the TH\_STATUS bit asserts to 1. The polarity and interrupt mode of the TH\_STATUS bit and the DRDY/INT pin can be configured through the INT\_POL and INT\_MODE bits of Register 0x0E.

The INT\_MODE bit sets the threshold to either comparator mode or a level sensitive alarm.

When INT\_MODE is set to 1, the TH\_STATUS bit is based on the current temperature conversion. The polarity of the DRDY/INT pin is set by INT\_POL.

When INT\_MODE is set to 0, the TH\_STATUS bit remains set to 1 until it is read. The polarity of the DRDY/INT pin is set by INT\_POL.

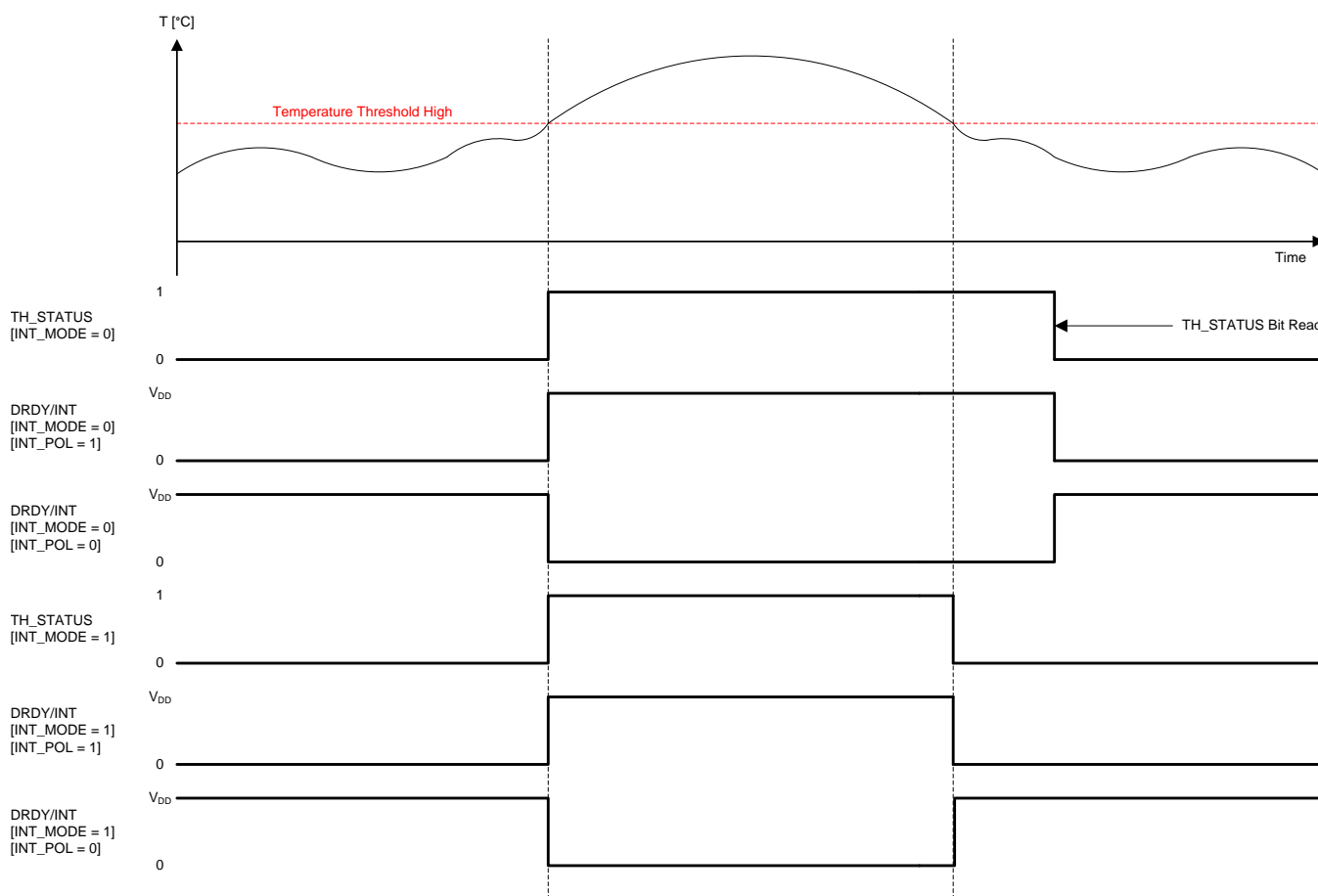


Figure 10. INTERRUPT on Threshold - Temperature High

## Feature Description (continued)

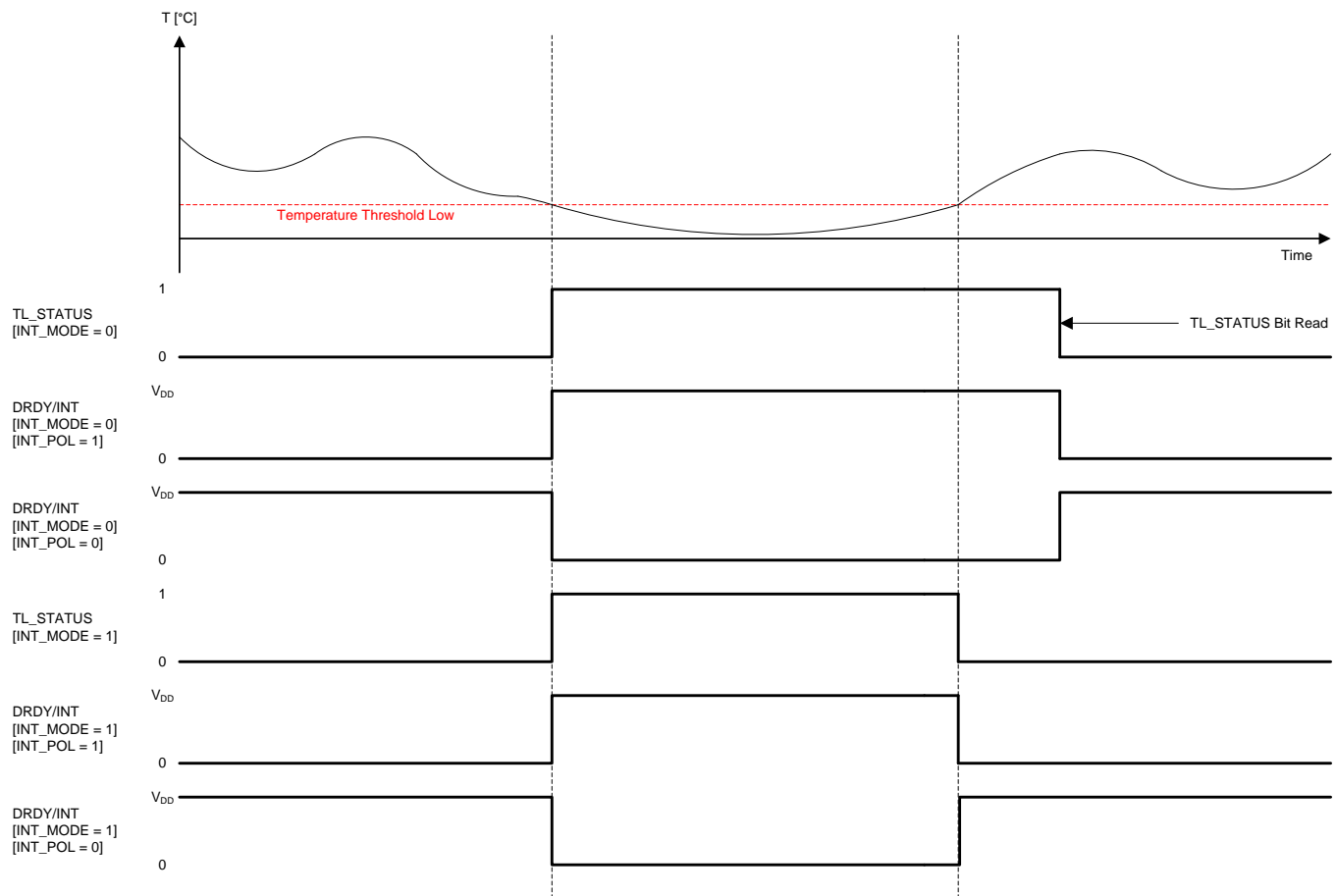
### 8.3.5.2 Temperature Low

When TL\_ENABLE is set and the temperature is under the threshold value program in the Temperature Threshold LOW register, the TL\_STATUS bit is set to 1. The TL\_STATUS bit and the DRDY/INT pin behave based on the INT\_POL and INT\_MODE bits.

The INT\_MODE bit sets the threshold to either comparator mode or a level sensitive alarm.

When INT\_MODE is set to 1, the TL\_STATUS bit is based on the current temperature conversion. The polarity of the DRDY/INT pin is set by INT\_POL.

When INT\_MODE is set to 0, the TL\_STATUS bit remains set to 1 until it is read. The polarity of the DRDY/INT pin is set by INT\_POL.



**Figure 11. INTERRUPT on Threshold - Temperature Low**

## Feature Description (continued)

### 8.3.5.3 Humidity High

When HH\_ENABLE is set and the humidity is over the threshold value program in the Humidity Threshold HIGH register, the HH\_STATUS bit is set to 1. The HH\_STATUS bit and the DRDY/INT pin behave based on the INT\_POL and INT\_MODE bits.

The INT\_MODE bit sets the threshold to either comparator mode or a level sensitive alarm.

When INT\_MODE is set to 1, the HH\_STATUS bit is based on the current relative humidity conversion. The polarity of the DRDY/INT pin is set by INT\_POL.

When INT\_MODE is set to 0, the HH\_STATUS bit remains set to 1 until it is read. The polarity of the DRDY/INT pin is set by INT\_POL

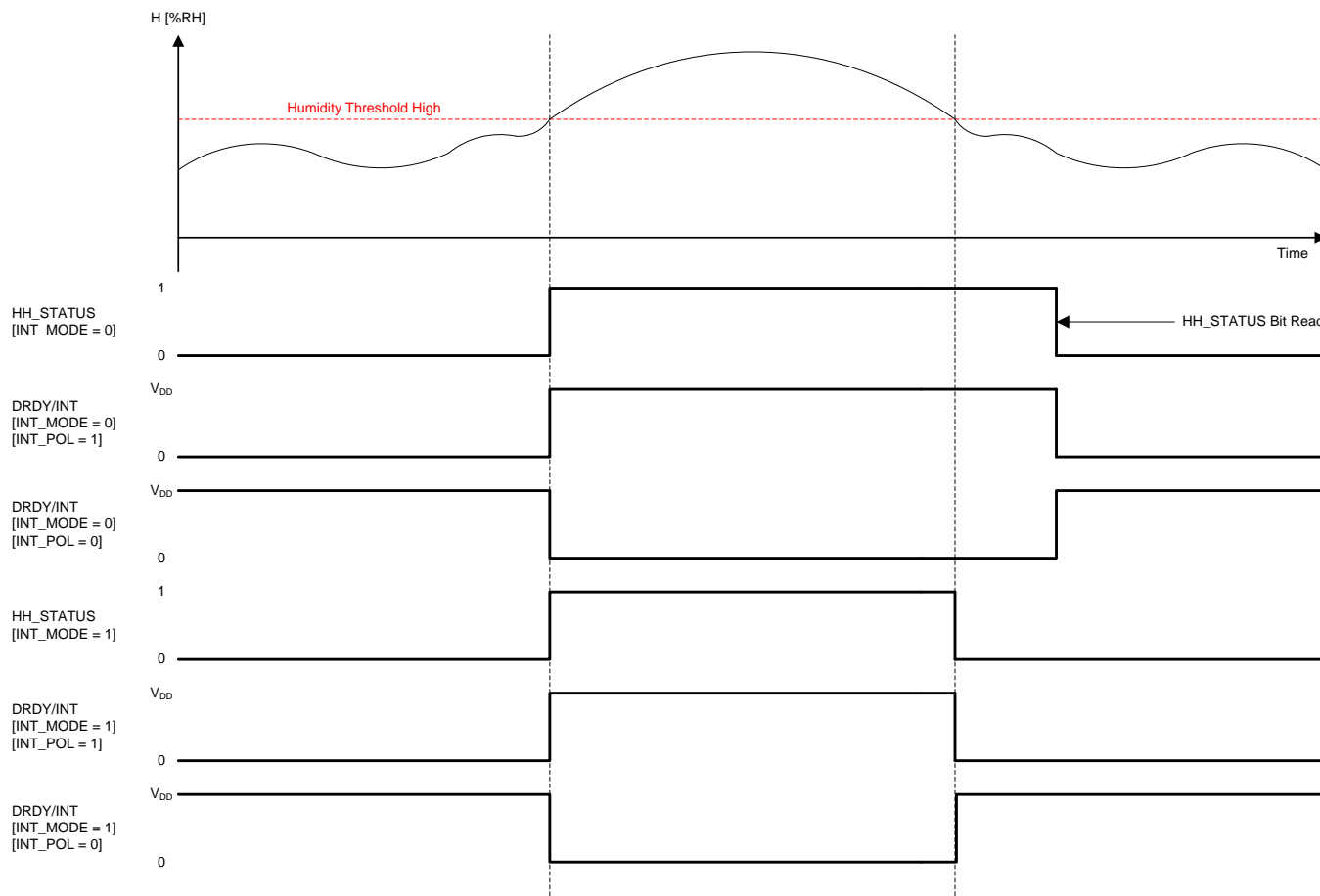


Figure 12. INTERRUPT on Threshold - Humidity High

## Feature Description (continued)

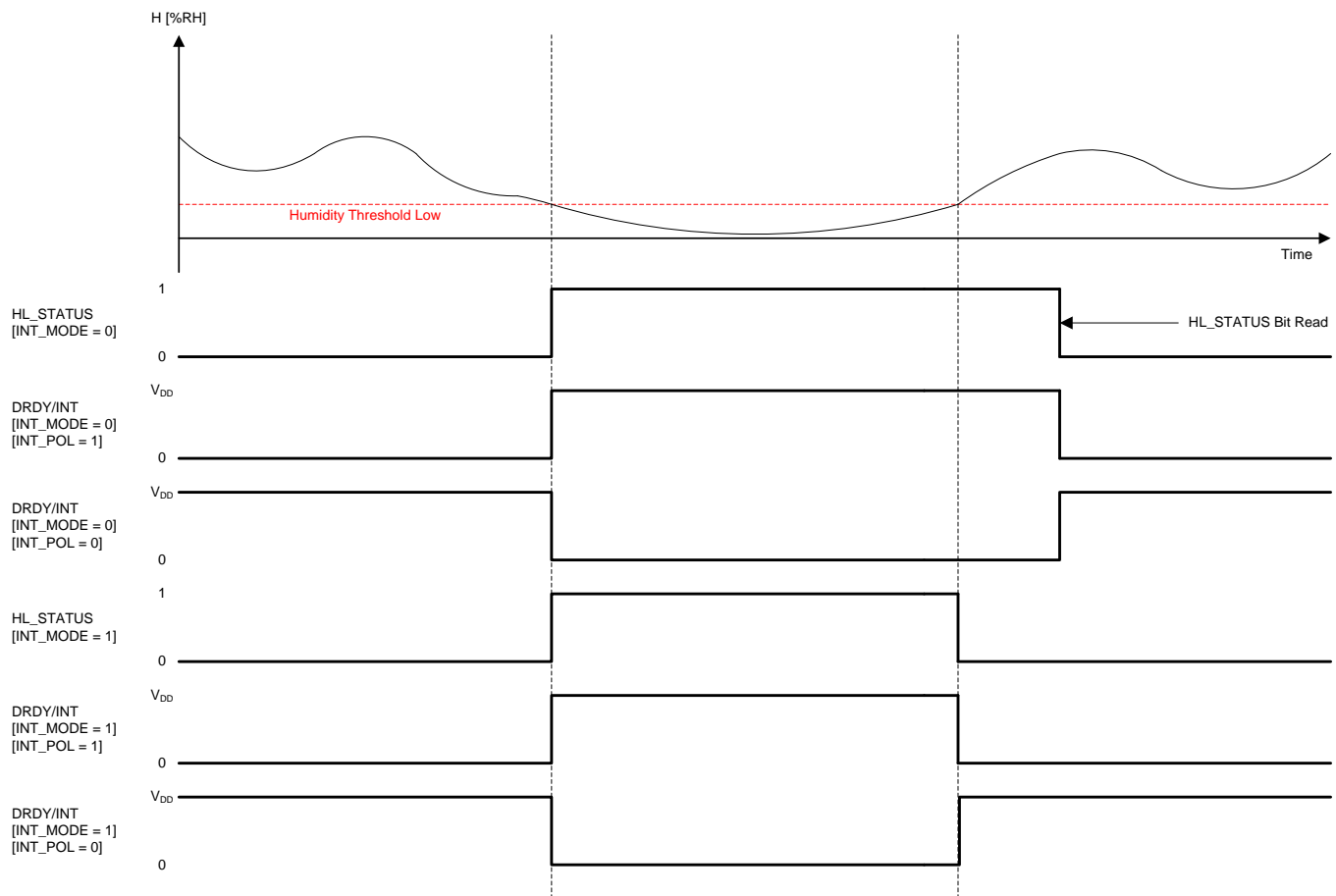
### 8.3.5.4 Humidity Low

When HL\_ENALBE is set and the humidity is over the threshold value program in the Humidity Threshold LOW register the HL\_STATUS bit is set to 1. The HL\_STATUS bit and the DRDY/INT pin behave based on the INT\_POL and INT\_MODE bits.

The INT\_MODE bit sets the threshold to either comparator mode or a level sensitive alarm.

When INT\_MODE is set to 1, the HL\_STATUS bit is based on the current relative humidity conversion. The polarity of the DRDY/INT pin is set by INT\_POL.

When INT\_MODE is set to 0, the HL\_STATUS bit remains set to 1 until it is read. The polarity of the DRDY/INT pin is set by INT\_POL



**Figure 13. INTERRUPT on Threshold - Humidity Low**

## 8.4 Device Functional Modes

The HDC2080 has two modes of operation: Sleep Mode and Measurement Mode.

### 8.4.1 Sleep Mode vs. Measurement Mode

After power up, the HDC2080 defaults to Sleep Mode and waits for an I<sup>2</sup>C instruction to set programmable conversion times, trigger a measurement or conversion, or read or write valid data. When a measurement is triggered, the HDC2080 switches to Measurement Mode that converts temperature or humidity values from integrated sensors through an internal ADC and stores the information in their respective data registers. The DRDY/INT pin can be monitored to verify if data is ready after measurement conversion. The DRDY/INT pin polarity and interrupt mode are set according to the configuration of the Interrupt Enable and DRDY/INT Configuration registers. After completing the conversion, the HDC2080 returns to Sleep Mode.

## 8.5 Programming

### 8.5.1 I<sup>2</sup>C Serial Bus Address Configuration

To communicate with the HDC2080, the master must first address slave devices through a slave address byte. The slave address byte consists of seven address bits and a direction bit that indicates the intent to execute a read or write operation. The HDC2080 features an address pin to allow up to 2 devices to be addressed on a single bus. [Table 1](#) describes the pin logic levels used to connect up to two devices. ADDR should be set before any activity on the interface occurs and remain constant while the device is powered up.

**Table 1. HDC2080 I<sup>2</sup>C Slave Address**

ADDR	ADDRESS (7-BIT ADDRESS)
GND	1000000
VDD	1000001

### 8.5.2 I<sup>2</sup>C Interface

The HDC2080 operates only as a slave device on the I<sup>2</sup>C bus interface. It is not allowed to have multiple devices on the same I<sup>2</sup>C bus with the same address. Connection to the bus is made through the open-drain I/O lines, SDA, and SCL. The SDA and SCL pins feature integrated spike-suppression filters and Schmitt triggers to minimize the effects of input spikes and bus noise. After power-up, the sensor needs at most 3 ms, to be ready to start RH and temperature measurement. After power-up the sensor is in sleep mode until a communication or measurement is performed. All data bytes are transmitted MSB first.

### 8.5.3 Serial Bus Address

To communicate with the HDC2080, the master must first address slave devices through a slave address byte. The slave address byte consists of seven address bits, and a direction bit that indicates the intent to execute a read or write operation.

### 8.5.4 Read and Write Operations

Address registers, which hold data pertaining to the status of the device, can be accessed through a pointer mechanism and can be accessed and modified with the following write and read procedures. The register address value is the first byte transferred after the device slave address byte with the R/W bit low. Every write operation to the HDC2080 requires a value for the register address (refer to [Table 2](#)).

When reading from the HDC2080, the current pointer location is used to determine which register is read by a read operation -- the pointer location points to the last written register address. To change the address for a read operation, a new value must be written to the pointer. This transaction is accomplished by issuing the slave address byte with the R/W bit set to '0', followed by the pointer byte. No additional data is required (refer to [Table 4](#)).

The master can then generate a START condition and send the slave address byte with the R/W bit set to 1 to initiate the read command. The address register is incremented automatically to enable the multibyte read and write operation (refer to [Table 3](#) and [Table 5](#)). Note that register bytes are sent MSB first, followed by the LSB. A write operation in a read-only register such as DEVICE ID, MANUFACTURER ID, or SERIAL ID returns a NACK after each data byte. A read or write operation to an unused address returns a NACK after the pointer, and a read or write operation with incorrect I<sup>2</sup>C address returns a NACK after the I<sup>2</sup>C address.

**Table 2. Write Single Byte**

<b>Master</b>	START	Slave address (W)		Address		DATA		STOP
<b>Slave</b>			ACK			ACK		ACK

**Table 3. Write Multi Byte**

<b>Master</b>	START	Slave address (W)		Address		DATA		DATA		.....	STOP
<b>Slave</b>			ACK		ACK		ACK		ACK		

**Table 4. Read Single Byte**

<b>Master</b>	START	Slave address (W)		Address		Start	Slave address (R)				NACK	STOP
<b>Slave</b>			ACK		ACK				ACK	DATA		

**Table 5. Read Multi Byte**

<b>Master</b>	START	Slave address (W)		Address		Start	Slave address (R)			ACK		ACK	.....	NACK	STOP
<b>Slave</b>			ACK		ACK			ACK	DATA		DATA				



## 8.6 Register Maps

The HDC2080 contains data registers that hold configuration information, temperature and humidity measurement results, and status information.

**Table 6. Register Map**

ADDRESS (HEX)	NAME	RESET VALUE	DESCRIPTION
0x00	TEMPERATURE LOW	00000000	Temperature [7:0]
0x01	TEMPERATURE HIGH	00000000	Temperature [15:8]
0x02	HUMIDITY LOW	00000000	Humidity [7:0]
0x03	HUMIDITY HIGH	00000000	Humidity [15:8]
0x04	INTERRUPT/DRDY	00000000	DataReady and interrupt configuration
0x05	TEMPERATURE MAX	00000000	Maximum measured temperature (Not supported in Auto Measurement Mode)
0x06	HUMIDITY MAX	00000000	Maximum measured humidity (Not supported in Auto Measurement Mode)
0x07	INTERRUPT ENABLE	00000000	Interrupt Enable
0x08	TEMP_OFFSET_ADJUST	00000000	Temperature offset adjustment
0x09	HUM_OFFSET_ADJUST	00000000	Humidity offset adjustment
0x0A	TEMP_THR_L	00000000	Temperature Threshold Low
0x0B	TEMP_THR_H	11111111	Temperature Threshold High
0x0C	RH_THR_L	00000000	Humidity threshold Low
0x0D	RH_THR_H	11111111	Humidity threshold High
0x0E	RESET&DRDY/INT CONF	00000000	Soft Reset and Interrupt Configuration
0x0F	MEASUREMENT CONFIGURATION	00000000	Measurement configuration
0xFC	MANUFACTURER ID LOW	01001001	Manufacturer ID Low
0xFD	MANUFACTURER ID HIGH	01010100	Manufacturer ID High
0xFE	DEVICE ID LOW	11010000	Device ID Low
0xFF	DEVICE ID HIGH	00000111	Device ID High

### 8.6.1 Address 0x00 Temperature LSB

**Table 7. Address 0x00 Temperature LSB Register**

7	6	5	4	3	2	1	0
TEMP[7:0]							

**Table 8. Address 0x00 Temperature LSB Field Descriptions**

BIT	FIELD	TYPE	RESET	DESCRIPTION
[7:0]	TEMPERATURE [7:0]	R	00000000	Temperature LSB

### 8.6.2 Address 0x01 Temperature MSB

The temperature register is a 16-bit result register in binary format (the 2 LSBs D1 and D0 are always 0). The result of the acquisition is always a 14-bit value, while the resolution is related to one selected in Measurement Configuration register. The temperature must be read LSB first.

**Table 9. Address 0x01 Temperature MSB Register**

7	6	5	4	3	2	1	0
TEMP[15:8]							

**Table 10. Address 0x01 Temperature MSB Field Descriptions**

BIT	FIELD	TYPE	RESET	DESCRIPTION
[15:8]	TEMPERATURE [15:8]	R	00000000	Temperature MSB

The temperature can be calculated from the output data with [Equation 1](#):

$$\text{Temperature (}^{\circ}\text{C)} = \left( \frac{\text{TEMPERATURE [15:0]}}{2^{16}} \right) \times 165 - 40 \quad (1)$$

### 8.6.3 Address 0x02 Humidity LSB

**Table 11. Address 0x02 Humidity LSB Register**

7	6	5	4	3	2	1	0
HUMIDITY[7:0]							

**Table 12. Address 0x02 Humidity LSB Field Descriptions**

BIT	FIELD	TYPE	RESET	DESCRIPTION
[7:0]	HUMIDITY [7:0]	R	00000000	Humidity LSB

### 8.6.4 Address 0x03 Humidity MSB

The humidity register is a 16-bit result register in binary format (the 2 LSBs D1 and D0 are always 0). The result of the acquisition is always a 14 bit value, while the resolution is related to one selected in Measurement Configuration register. The humidity measurement must be read LSB first.

**Table 13. Address 0x03 Humidity MSB Register**

7	6	5	4	3	2	1	0
HUMIDITY[15:8]							

**Table 14. Address 0x03 Humidity MSB Field Descriptions**

BIT	FIELD	TYPE	RESET	DESCRIPTION
[15:8]	HUMIDITY[15:8]	R	00000000	Humidity MSB

The humidity can be calculated from the output data with [Equation 2](#):

$$\text{Humidity (\%RH)} = \left( \frac{\text{HUMIDITY [15:0]}}{2^{16}} \right) \times 100 \quad (2)$$

### 8.6.5 Address 0x04 Interrupt DRDY

**Table 15. Address 0x04 Interrupt DRDY Register**

7	6	5	4	3	2	1	0
DRDY_STATUS	TH_STATUS	TL_STATUS	HH_STATUS	HL_STATUS	RES	RES	RES

**Table 16. Address 0x04 Interrupt DRDY Field Descriptions**

BIT	FIELD	TYPE	RESET	DESCRIPTION
7	DRDY_STATUS	R/W	0	DataReady bit status 0 = Data Not Ready 1 = Data Ready DRDY_STATUS is cleared to 0 when read
6	TH_STATUS	R/W	0	Temperature threshold HIGH Interrupt status 0 = No interrupt 1 = Interrupt TH_STATUS is cleared to 0 when read
5	TL_STATUS	R/W	0	Temperature threshold LOW Interrupt status 0 = No interrupt 1 = Interrupt TL_STATUS is cleared to 0 when read
4	HH_STATUS	R/W	0	Humidity threshold HIGH Interrupt status 0 = No interrupt 1 = Interrupt HH_STATUS is cleared to 0 when read
3	HL_STATUS	R/W	0	Humidity threshold LOW Interrupt status 0 = No interrupt 1 = Interrupt HL_STATUS is cleared to 0 when read
2	RES		0	Reserved
1	RES		0	Reserved
0	RES		0	Reserved

DRDY\_STATUS indicates that temperature and/or humidity conversion is terminated. This bit is cleared when the Interrupt/DRDY register is read or the output registers TEMPERATURE\_HIGH, TEMPERATURE\_LOW, HUMIDITY\_HIGH and HUMIDITY\_LOW are read.

The TL\_STATUS indicates that the *Temperature Threshold LOW* value is exceeded. The behavior is defined by 0x0E Configuration register value. The bit is cleared when the register Interrupt DRDY is read.

The TH\_STATUS indicates that the *Temperature Threshold HIGH* value is exceeded. The behavior is defined by 0x0E Configuration register value. The bit is cleared when the register Interrupt DRDY is read.

The HH\_STATUS indicates that the *Humidity Threshold HIGH* value is exceeded. The behavior is defined by 0x0E Configuration register value. The bit is cleared when the register Interrupt DRDY is read.

The HL\_STATUS indicates that the *Humidity Threshold LOW* value is exceeded. The behavior is defined by 0x0E Configuration register value. The bit is cleared when the register Interrupt DRDY is read.

DRDY/INT pin behaves like the STATUS bits based on the 0x0E Configuration register value.

### 8.6.6 Address 0x05 Temperature MAX

This register implements temperature peak detector function. It stores the highest temperature value converted after the power up. Value is reset at power up and/or with soft reset procedure.

**Table 17. Address 0x05 Temperature MAX Register**

7	6	5	4	3	2	1	0
TEMPERATUREMAX[7:0]							

**Table 18. Address 0x05 Temperature Max Field Descriptions**

BIT	FIELD	TYPE	RESET	DESCRIPTION
[7:0]	TEMPERATUREMAX[7:0]	R/W	00000000	Stores maximum temperature measurement from all I <sup>2</sup> C read requests for temperature Not supported in Auto Measurement Mode

The temperature can be calculated from the output data with [Equation 3](#):

$$\text{Temperature (}^{\circ}\text{C)} = \left( \frac{\text{TEMPERATURE}[7:0]}{2^8} \right) \times 165 - 40 \quad (3)$$

### 8.6.7 Address 0x06 Humidity MAX

This register implements humidity peak detector function. It stores the highest humidity value converted after the power up. Value is reset at power up and/or with soft reset procedure.

**Table 19. Address 0x06 Humidity MAX Register**

7	6	5	4	3	2	1	0
HUMIDITYMAX[7:0]							

**Table 20. Address 0x06 Humidity MAX Field Descriptions**

BIT	FIELD	TYPE	RESET	DESCRIPTION
[7:0]	HUMIDITYMAX[7:0]	R/W	00000000	Stores maximum humidity measurement from all I <sup>2</sup> C read requests for humidity Not supported in Auto Measurement Mode

The humidity can be calculated from the output data with [Equation 4](#):

$$\text{Humidity (\%RH)} = \text{HUMIDITYMAX}[7:0] \times \left( \frac{100}{2^8} \right) \quad (4)$$

### 8.6.8 Address 0x07 Interrupt Configuration

**Table 21. Address 0x07 Interrupt Configuration Register**

7	6	5	4	3	2	1	0
DRDY_ENABLE	TH_ENABLE	TL_ENABLE	HH_ENABLE	HL_ENABLE	RES	RES	RES

**Table 22. Address 0x07 Interrupt Configuration Field Descriptions**

BIT	FIELD	TYPE	RESET	DESCRIPTION
7	DRDY_ENABLE	R/W	0	DataReady Interrupt enable 0 = DataReady Interrupt generator disable 1 = DataReady Interrupt generator enable
6	TH_ENABLE	R/W	0	Temperature threshold HIGH Interrupt enable 0 = Temperature high Interrupt generator disable 1 = Temperature high Interrupt generator enable
5	TL_ENABLE	R/W	0	Temperature threshold LOW Interrupt enable 0 = Temperature low Interrupt generator disable 1 = Temperature low Interrupt generator enable
4	HH_ENABLE	R/W	0	Humidity threshold HIGH Interrupt enable 0 = Humidity high Interrupt generator disable 1 = Humidity high Interrupt generator enable
3	HL_ENABLE	R/W	0	Humidity threshold LOW Interrupt enable 0 = Humidity low Interrupt generator disable 1 = Humidity low Interrupt generator enable
2	RES		0	Reserved
1	RES		0	Reserved
0	RES		0	Reserved

### 8.6.9 Address 0x08 Temperature Offset Adjustment

**Table 23. Address 0x08 Temperature Offset Adjustment Register**

7	6	5	4	3	2	1	0
TEMP_OFFSET_ADJUST[7:0]							

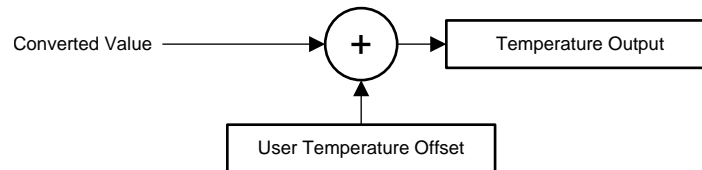
**Table 24. Address 0x08 Temperature Offset Adjustment Field Descriptions**

BIT	FIELD	TYPE	RESET	DESCRIPTION
[7:0]	TEMP_OFFSET_ADJUST [7:0]	R/W	00000000	Temperature offset adjustment. Added to the converted Temperature value

The temperature can be adjusted adding the following values that are enable settings the equivalents bits:

7	6	5	4	3	2	1	0
-20.62°C	+10.32°C	+5.16°C	+2.58°C	+1.28°C	+0.64°C	+0.32°C	+0.16°C

The value is added to the converted temperature value for offset adjustment as shown in [Figure 14](#)



**Figure 14. Temperature Output Calculation**

The resulting temperature offset is a summation of the register bits that have been enabled (that is, programmed to 1). Some examples:

1. Programming TEMP\_OFFSET\_ADJUST to 00000001 adjusts the reported temperature by +0.16°C.
2. Programming TEMP\_OFFSET\_ADJUST to 00000111 adjusts the reported temperature by +1.12°C.
3. Programming TEMP\_OFFSET\_ADJUST to 00001101 adjusts the reported temperature by +2.08°C.
4. Programming TEMP\_OFFSET\_ADJUST to 11111111 adjusts the reported temperature by -0.16°C.
5. Programming TEMP\_OFFSET\_ADJUST to 11111001 adjusts the reported temperature by -1.12°C.
6. Programming TEMP\_OFFSET\_ADJUST to 11110011 adjusts the reported temperature by -2.08°C.

### 8.6.10 Address 0x09 Humidity Offset Adjustment

**Table 25. Address 0x09 Humidity Offset Adjustment Register**

7	6	5	4	3	2	1	0
HUM_OFFSET_ADJUST [7:0]							

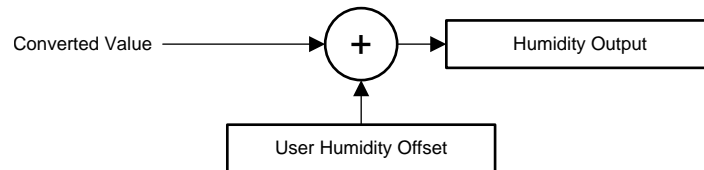
**Table 26. Address 0x09 Humidity Offset Adjustment Field Descriptions**

BIT	FIELD	TYPE	RESET	DESCRIPTION
[7:0]	HUM_OFFSET_ADJUST [7:0]	R/W	00000000	Humidity offset adjustment. Added to the converted Humidity value

The humidity can be adjusted adding the following values that are enable settings the equivalent bits:

7	6	5	4	3	2	1	0
-25%RH	+12.5%RH	+6.3%RH	+3.1%RH	+1.6%RH	+0.8%RH	+0.4%RH	+0.2%RH

The value is added to the converted temperature value for offset adjustment as shown in [Figure 15](#)



**Figure 15. Humidity Output Calculation**

The resulting humidity offset is a summation of the register bits that have been enabled (i.e. programmed to 1). Some examples:

1. Programming HUM\_OFFSET\_ADJUST to 00000001 adjusts the reported humidity by +0.20%RH.
2. Programming HUM\_OFFSET\_ADJUST to 00000101 adjusts the reported humidity by +1.00%RH.
3. Programming HUM\_OFFSET\_ADJUST to 00001010 adjusts the reported humidity by +2.00%RH.
4. Programming HUM\_OFFSET\_ADJUST to 11111111 adjusts the reported humidity by -0.10%RH.
5. Programming HUM\_OFFSET\_ADJUST to 11111011 adjusts the reported humidity by -0.90%RH.
6. Programming HUM\_OFFSET\_ADJUST to 11110101 adjusts the reported humidity by -2.10%RH.

### 8.6.11 Address 0x0A Temperature Threshold LOW

**Table 27. Address 0x0A Temperature Threshold LOW Register**

7	6	5	4	3	2	1	0
TEMP_THRES_LOW[7:0]							

**Table 28. Address 0x0A Temperature Threshold LOW Field Descriptions**

BIT	FIELD	TYPE	RESET	DESCRIPTION
[7:0]	TEMP_THRES_LOW[7:0]	R/W	00000000	Temperature threshold LOW value

The Temperature Threshold LOW can be calculated from the output data with [Equation 5](#):

$$\text{Temperature threshold low (}^{\circ}\text{C)} = \left( \frac{\text{TEMP\_THRES\_LOW [7:0]}}{2^8} \right) \times 165 - 40 \quad (5)$$

### 8.6.12 Address 0x0B Temperature Threshold HIGH

**Table 29. Address 0x0B Temperature Threshold HIGH Register**

7	6	5	4	3	2	1	0
TEMP_THRES_HIGH[7:0]							

**Table 30. Address 0x0B Temperature Threshold HIGH Field Descriptions**

BIT	FIELD	TYPE	RESET	DESCRIPTION
[7:0]	TEMP_THRES_HIGH[7:0]	R/W	11111111	Temperature threshold HIGH value

The Temperature Threshold HIGH can be calculated from the output data with [Equation 6](#):

$$\text{Temperature threshold high (}^{\circ}\text{C)} = \left( \frac{\text{TEMP\_THRES\_HIGH [7:0]}}{2^8} \right) \times 165 - 40 \quad (6)$$

### 8.6.13 Address 0x0C Humidity Threshold LOW

**Table 31. Address 0x0C Humidity Threshold LOW Register**

7	6	5	4	3	2	1	0
HUMI_THRES_LOW[7:0]							

**Table 32. Address 0x0C Humidity Threshold LOW Field Descriptions**

BIT	FIELD	TYPE	RESET	DESCRIPTION
[7:0]	HUMI_THRES_LOW[7:0]	R/W	00000000	Humidity threshold LOW value

The Humidity Threshold LOW can be calculated from the output data with [Equation 7](#):

$$\text{Humidity threshold low (\%RH)} = \left( \frac{\text{HUMI\_THRES\_LOW [7:0]}}{2^8} \right) \times 100 \quad (7)$$



### 8.6.14 Address 0x0D Humidity Threshold HIGH

**Table 33. Address 0x0D Humidity Threshold HIGH Register**

7	6	5	4	3	2	1	0
HUMI_THRES_HIGH[7:0]							

**Table 34. Address 0x0D Humidity Threshold HIGH Field Descriptions**

BIT	FIELD	TYPE	RESET	DESCRIPTION
[7:0]	HUMI_THRES_HIGH[7:0]	R/W	11111111	Humidity threshold HIGH value

The Humidity Threshold HIGH can be calculated from the output data with [Equation 8](#):

$$\text{Humidity threshold high (\%RH)} = \left( \frac{\text{HUMI\_THRES\_HIGH [7 : 0]}}{2^8} \right) \times 100 \quad (8)$$

### 8.6.15 Address 0x0E Reset and DRDY/INT Configuration Register

**Table 35. Address 0x0E Configuration Register**

7	6	5	4	3	2	1	0
SOFT_RES	AMM[2]	AMM[1]	AMM[0]	HEAT_EN	DRDY/INT_EN	INT_POL	INT_MODE

**Table 36. Address 0x0E Configuration Field Descriptions**

BIT	FIELD	TYPE	RESET	DESCRIPTION
7	SOFT_RES	R/W	0	0 = Normal Operation mode, this bit is self-clear 1 = Soft Reset EEPROM value reload and registers reset
[6:4]	AMM[2:0]	R/W	000	Auto Measurement Mode (AMM) 000 = Disabled. Initiate measurement via I <sup>2</sup> C 001 = 1/120Hz (1 samples every 2 minutes) 010 = 1/60Hz (1 samples every minute) 011 = 0.1Hz (1 samples every 10 seconds) 100 = 0.2 Hz (1 samples every 5 second) 101 = 1Hz (1 samples every second) 110 = 2Hz (2 samples every second) 111 = 5Hz (5 samples every second)
3	HEAT_EN	R/W	0	0 = Heater off 1 = Heater on
2	DRDY/INT_EN	R/W	0	DRDY/INT_EN pin configuration 0 = High Z 1 = Enable
1	INT_POL	R/W	0	Interrupt polarity 0 = Active Low 1 = Active High
0	INT_MODE	R/W	0	Interrupt mode 0 = Level sensitive 1 = Comparator mode

### 8.6.16 Address 0x0F Measurement Configuration

**Table 37. Address 0x0F Measurement Configuration Register**

7	6	5	4	3	2	1	0
TRES[1]	TRES[0]	HRES[1]	HRES[0]	RES	MEAS_CONF[1]	MEAS_CONF[0]	MEAS_TRIG

**Table 38. Address 0x0F Measurement Configuration Field Descriptions**

BIT	FIELD	TYPE	RESET	DESCRIPTION
7:6	TRES[1:0]	R/W	00	Temperature resolution 00: 14 bit 01: 11 bit 10: 9 bit 11: NA
5:4	HRES[1:0]	R/W	00	Humidity resolution 00: 14 bit 01: 11 bit 10: 9 bit 11: NA
3	RES	R/W	0	Reserved
2:1	MEAS_CONF[1:0]	R/W	00	Measurement configuration 00: Humidity + Temperature 01: Temperature only 10: NA 11: NA
0	MEAS_TRIG	R/W	0	Measurement trigger 0: no action 1: Start measurement Self-clearing bit when measurement completed

### 8.6.17 Manufacturer ID Low

**Table 39. Manufacturer ID Low Register**

7	6	5	4	3	2	1	0
MANUFACTURER ID[7:0]							

**Table 40. Address 0xFC Manufacturer ID Low Field Descriptions**

BIT	FIELD	TYPE	RESET	DESCRIPTION
[7:0]	MANUFACTURER ID [7:0]	R	01001001	Manufacturer ID LOW value

### 8.6.18 Manufacturer ID High

These registers contain a factory-programmable identification value that identifies this device as being manufactured by Texas Instruments. These registers distinguish this device from other devices that are on the same I<sup>2</sup>C bus. The manufacturer ID reads 0x4954

**Table 41. Manufacturer ID High Register**

7	6	5	4	3	2	1	0
MANUFACTURER ID[15:8]							

**Table 42. Address 0xFD Manufacturer ID High Field Descriptions**

BIT	FIELD	TYPE	RESET	DESCRIPTION
[7:0]	MANUFACTURER ID [15:8]	R	01010100	Manufacturer ID HIGH value

### 8.6.19 Device ID Low

**Table 43. Device ID Low Register**

7	6	5	4	3	2	1	0
DEVICE ID[7:0]							

**Table 44. Address 0xFE Device ID Low Field Descriptions**

BIT	FIELD	TYPE	RESET	DESCRIPTION
[7:0]	DEVICE ID [7:0]	R	11010000	Device ID LOW value

### 8.6.20 Device ID High

These registers contain a factory-programmable identification value that identifies this device as a HDC2080. These registers distinguish this device from other devices that are on the same I<sup>2</sup>C bus. The Device ID for the HDC2080 is 0x07D0

**Table 45. Device ID High Register**

7	6	5	4	3	2	1	0
DEVICE ID[15:8]							

**Table 46. Address 0xFF Device ID High Field Descriptions**

BIT	FIELD	TYPE	RESET	DESCRIPTION
[7:0]	DEVICE ID [15:8]	R	00000111	Device ID HIGH value

## 9 Application and Implementation

### NOTE

Information in the following applications sections is not part of the TI component specification, and TI does not warrant its accuracy or completeness. TI's customers are responsible for determining suitability of components for their purposes. Customers should validate and test their design implementation to confirm system functionality.

### 9.1 Application Information

An HVAC system thermostat control is based on environmental sensors and a microcontroller. The microcontroller acquires data from humidity and temperature sensors and controls the heating and cooling system. The collected data are then shown on a display that can be easily controlled by the microcontroller. Based on data from the humidity and temperature sensor, the heating and cooling system then maintains the environment at the customer-defined preferred conditions.

### 9.2 Typical Application

In a battery-powered HVAC system thermostat, one of the key parameters in the selection of components is the power consumption. The HDC2080, with 550 nA of current consumption (the average consumption over 1s for RH and Temperature measurements), in conjunction with a MSP430, represents one way an engineer can obtain low power consumption and extend battery life. A system block diagram of a battery-powered thermostat is shown in [Figure 16](#).

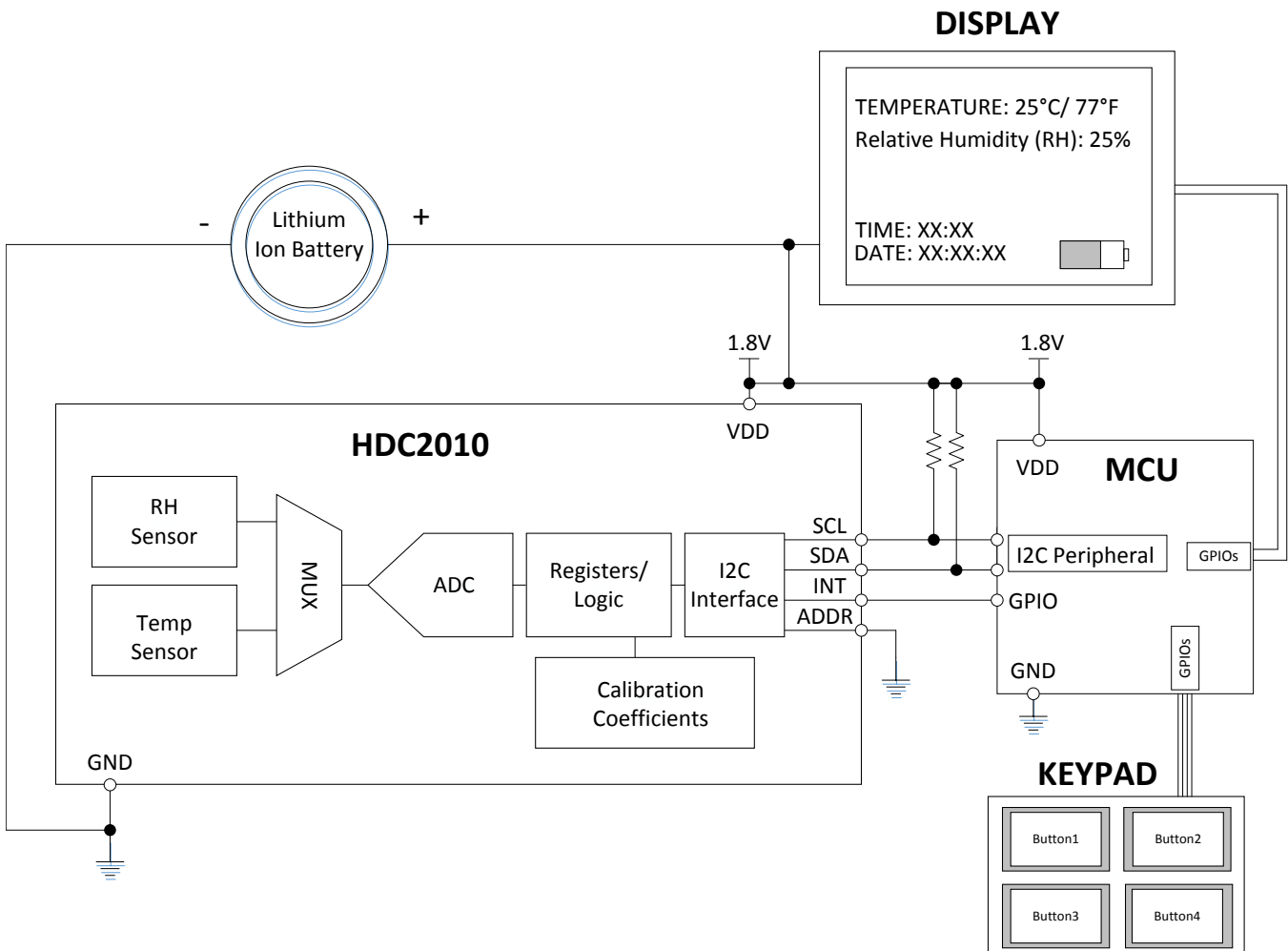


Figure 16. Typical Application Schematic HVAC

## Typical Application (continued)

### 9.2.1 Design Requirements

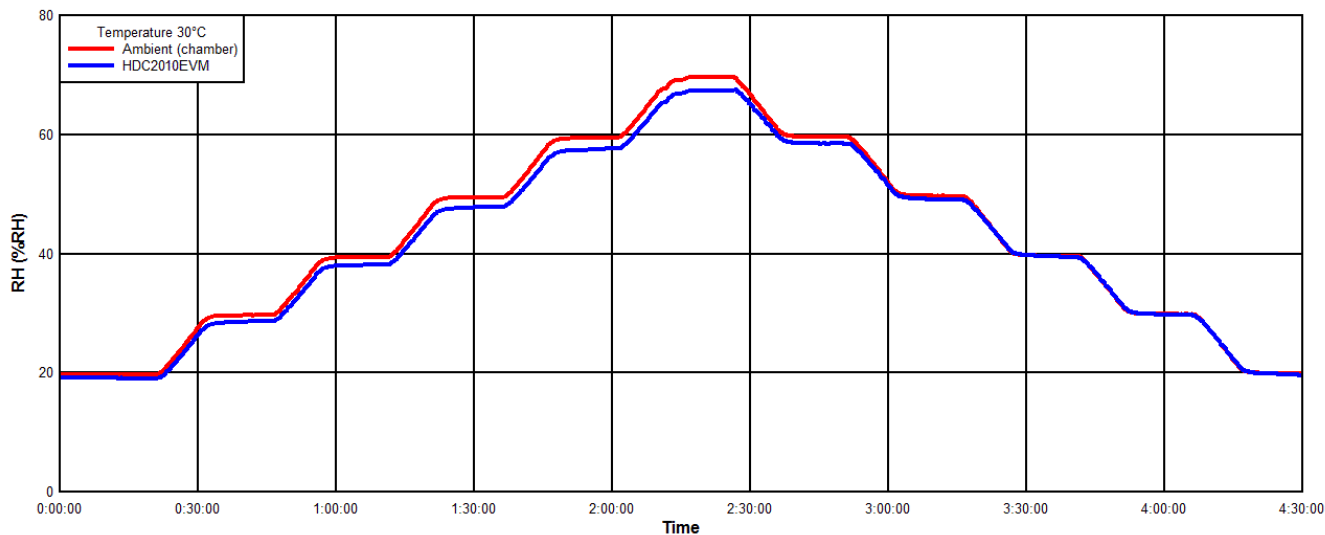
To improve measurement accuracy, TI recommends to isolate the HDC2080 from all heat sources in the form of active circuitry, batteries, displays and resistive elements. If design space is a constraint, cutouts surrounding the device or the inclusion of small trenches can help minimize heat transfer from PCB heat sources to the HDC2080. To avoid self-heating the HDC2080, TI recommends to configure the device for a maximum sample rate of 1 Hz (1sps).

### 9.2.2 Detailed Design Procedure

When a circuit board layout is created from the schematic shown in [Figure 16](#), a small circuit board is possible. The accuracy of a RH and temperature measurement depends on the sensor accuracy and the setup of the sensing system. The HDC2080 samples relative humidity and temperature in its immediate environment, it is therefore important that the local conditions at the sensor match the monitored environment. Use one or more openings in the physical cover of the thermostat to obtain a good airflow even in static conditions. Refer to the layout ([Figure 18](#)) for a PCB layout which minimizes the thermal mass of the PCB in the region of the HDC2080, which can improve measurement response time and accuracy.

### 9.2.3 Application Curve

These results were acquired at  $T_A = 30^\circ\text{C}$  using a humidity chamber that sweeps RH%. The sweep profile used was 20% > 30% > 40% > 50% > 60% > 70% > 60% > 50% > 40% > 30% > 20%. Each RH% set point was held for 20 minutes.



**Figure 17. RH% Readings of Chamber and HDC2080 vs. Time**

## 10 Power Supply Recommendations

The HDC2080 requires a voltage supply within 1.62 V and 3.60 V. TI recommends a multilayer ceramic bypass X7R capacitor of 0.1  $\mu$ F between the VDD and GND pins.

## 11 Layout

### 11.1 Layout Guidelines

The HDC2080's relative humidity-sensing element is located on the top side of the package.

TI recommends that the user eliminate the copper layers below the device (GND, V<sub>DD</sub>) and create slots in the PCB around the device to enhance the thermal isolation of the HDC2080. To ensure the temperature sensor performance, TI highly recommends that the user follow the Land Pattern, Solder Mask, and Solder Paste examples depicted in the [Mechanical, Packaging, and Orderable Information](#).

#### 11.1.1 Guidelines for HDC2080 Storage and PCB Assembly

##### 11.1.1.1 Storage and Handling

As with all humidity sensors, the HDC2080 must follow special guidelines regarding handling and storage that are not common with standard semiconductor devices. Long exposure to UV and visible light, or exposure to chemical vapors for prolonged periods, should be avoided as it may affect RH% accuracy. Additionally, the device should be protected from out-gassed solvent vapors produced during manufacturing, transport, operation, and package materials (that is, adhesive tapes, stickers, bubble foils). For further detailed information, see [Humidity Sensor: Storage and Handling guidelines](#) (SNIA025).

##### 11.1.1.2 Soldering Reflow

For PCB assembly, standard reflow soldering ovens may be used. The HDC2080 uses the standard soldering profile IPC/JEDEC J-STD-020 with peak temperatures at 260°C. When soldering the HDC2080, it is mandatory to use *no-clean* solder paste, and the paste must not be exposed to water or solvent rinses during assembly because these contaminants may affect sensor accuracy. After reflow, it is expected that the sensor will generally output a shift in relative humidity, which will reduce over time as the sensor is exposed to typical indoor ambient conditions. These conditions include 30-40% RH at room temperature during a duration of several days. Following this re-hydration procedure allows the polymer to correctly settle after reflow and return to the calibrated RH accuracy.

##### 11.1.1.3 Rework

TI recommends to limit the HDC2080 to a single IR reflow with no rework, but a second reflow may be possible if the following guidelines are met:

- The exposed polymer (humidity sensor) is kept clean and undamaged.
- The no-clean solder paste is used and the process is not exposed to any liquids, such as water or solvents.
- The Peak soldering temperature does not exceed 260°C.

##### 11.1.1.4 High Temperature and Humidity Exposure

Long exposure outside the recommended operating conditions may temporarily offset the RH output. The recommended humidity operating range is 20 to 80% RH (non-condensing) over 0 to 60°C. Prolonged operation beyond these ranges may shift the sensor reading with a slow recovery time.

##### 11.1.1.5 Bake/Re-Hydration Procedure

Prolonged exposure to extreme conditions or harsh contaminants may impact sensor performance. In the case that permanent offset is observed from contaminants, the following procedure is suggested, which may recover or reduce the error observed in sensor performance:

1. Baking: 100°C, at less than 5%RH, for 5 to 10 hours
2. Re-hydration: Between 20°C to 30°C, 60%RH to 75%RH, for 6 to 12 hours

## 11.2 Layout Example

The only component next to the device is the supply bypass capacitor. The relative humidity is dependent on the temperature, so the HDC2080 should be positioned away from hot spots present on the board, such as a battery, display or microcontroller. Slots around the device can be used to reduce the thermal mass for a quicker response to environmental changes. The DAP may be soldered to a floating pad on the board, but the board pad should NOT be connected to GND

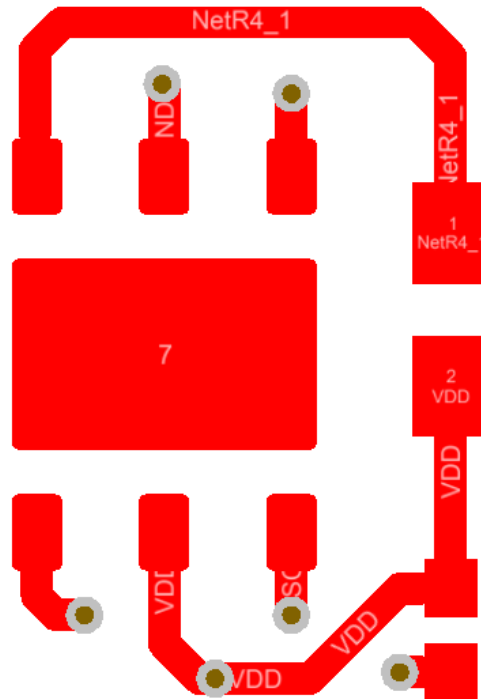


Figure 18. HDC2080 PCB Layout Example

## 12 Device and Documentation Support

### 12.1 Documentation Support

#### 12.1.1 Related Documentation

For related documentation, see the following:

- Texas Instruments, [Humidity Sensor: Storage and Handling Guidelines](#). (SNIA025)
- Texas Instruments, [Optimizing Placement and Routing for Humidity Sensors application report](#) (SNAA297)

### 12.2 Receiving Notification of Documentation Updates

To receive notification of documentation updates, navigate to the device product folder on ti.com. In the upper right corner, click on *Alert me* to register and receive a weekly digest of any product information that has changed. For change details, review the revision history included in any revised document.

### 12.3 Community Resources

The following links connect to TI community resources. Linked contents are provided "AS IS" by the respective contributors. They do not constitute TI specifications and do not necessarily reflect TI's views; see TI's [Terms of Use](#).

**TI E2E™ Online Community** *TI's Engineer-to-Engineer (E2E) Community*. Created to foster collaboration among engineers. At e2e.ti.com, you can ask questions, share knowledge, explore ideas and help solve problems with fellow engineers.

**Design Support** *TI's Design Support* Quickly find helpful E2E forums along with design support tools and contact information for technical support.

### 12.4 Trademarks

E2E is a trademark of Texas Instruments.  
All other trademarks are the property of their respective owners.

### 12.5 Electrostatic Discharge Caution



This integrated circuit can be damaged by ESD. Texas Instruments recommends that all integrated circuits be handled with appropriate precautions. Failure to observe proper handling and installation procedures can cause damage.

ESD damage can range from subtle performance degradation to complete device failure. Precision integrated circuits may be more susceptible to damage because very small parametric changes could cause the device not to meet its published specifications.

### 12.6 Glossary

[SLYZ022](#) — *TI Glossary*.



This glossary lists and explains terms, acronyms, and definitions.

## 13 Mechanical, Packaging, and Orderable Information

The following pages include mechanical, packaging, and orderable information. This information is the most current data available for the designated devices. This data is subject to change without notice and revision of this document. For browser-based versions of this data sheet, refer to the left-hand navigation.



**PACKAGING INFORMATION**

Orderable Device	Status (1)	Package Type	Package Drawing	Pins	Package Qty	Eco Plan (2)	Lead/Ball Finish (6)	MSL Peak Temp (3)	Op Temp (°C)	Device Marking (4/5)	Samples
HDC2080DMBR	ACTIVE	WSON	DMB	6	3000	Green (RoHS & no Sb/Br)	NIPDAU	Level-1-260C-UNLIM	-40 to 85	3C	
HDC2080DMBT	ACTIVE	WSON	DMB	6	250	Green (RoHS & no Sb/Br)	NIPDAU	Level-1-260C-UNLIM	-40 to 85	3C	

(1) The marketing status values are defined as follows:

**ACTIVE:** Product device recommended for new designs.

**LIFEBUY:** TI has announced that the device will be discontinued, and a lifetime-buy period is in effect.

**NRND:** Not recommended for new designs. Device is in production to support existing customers, but TI does not recommend using this part in a new design.

**PREVIEW:** Device has been announced but is not in production. Samples may or may not be available.

**OBSOLETE:** TI has discontinued the production of the device.

(2) **RoHS:** TI defines "RoHS" to mean semiconductor products that are compliant with the current EU RoHS requirements for all 10 RoHS substances, including the requirement that RoHS substance do not exceed 0.1% by weight in homogeneous materials. Where designed to be soldered at high temperatures, "RoHS" products are suitable for use in specified lead-free processes. TI may reference these types of products as "Pb-Free".

**RoHS Exempt:** TI defines "RoHS Exempt" to mean products that contain lead but are compliant with EU RoHS pursuant to a specific EU RoHS exemption.

**Green:** TI defines "Green" to mean the content of Chlorine (Cl) and Bromine (Br) based flame retardants meet JS709B low halogen requirements of <=1000ppm threshold. Antimony trioxide based flame retardants must also meet the <=1000ppm threshold requirement.

(3) MSL, Peak Temp. - The Moisture Sensitivity Level rating according to the JEDEC industry standard classifications, and peak solder temperature.

(4) There may be additional marking, which relates to the logo, the lot trace code information, or the environmental category on the device.

(5) Multiple Device Markings will be inside parentheses. Only one Device Marking contained in parentheses and separated by a "~" will appear on a device. If a line is indented then it is a continuation of the previous line and the two combined represent the entire Device Marking for that device.

(6) Lead/Ball Finish - Orderable Devices may have multiple material finish options. Finish options are separated by a vertical ruled line. Lead/Ball Finish values may wrap to two lines if the finish value exceeds the maximum column width.

**Important Information and Disclaimer:**The information provided on this page represents TI's knowledge and belief as of the date that it is provided. TI bases its knowledge and belief on information provided by third parties, and makes no representation or warranty as to the accuracy of such information. Efforts are underway to better integrate information from third parties. TI has taken and continues to take reasonable steps to provide representative and accurate information but may not have conducted destructive testing or chemical analysis on incoming materials and chemicals. TI and TI suppliers consider certain information to be proprietary, and thus CAS numbers and other limited information may not be available for release.

In no event shall TI's liability arising out of such information exceed the total purchase price of the TI part(s) at issue in this document sold by TI to Customer on an annual basis.



**TAPE AND REEL INFORMATION**

**QUADRANT ASSIGNMENTS FOR PIN 1 ORIENTATION IN TAPE**


\*All dimensions are nominal

Device	Package Type	Package Drawing	Pins	SPQ	Reel Diameter (mm)	Reel Width W1 (mm)	A0 (mm)	B0 (mm)	K0 (mm)	P1 (mm)	W (mm)	Pin1 Quadrant
HDC2080DMBR	WSON	DMB	6	3000	330.0	15.4	3.3	3.3	1.1	8.0	12.0	Q2
HDC2080DMBT	WSON	DMB	6	250	178.0	12.4	3.3	3.3	1.1	8.0	12.0	Q2

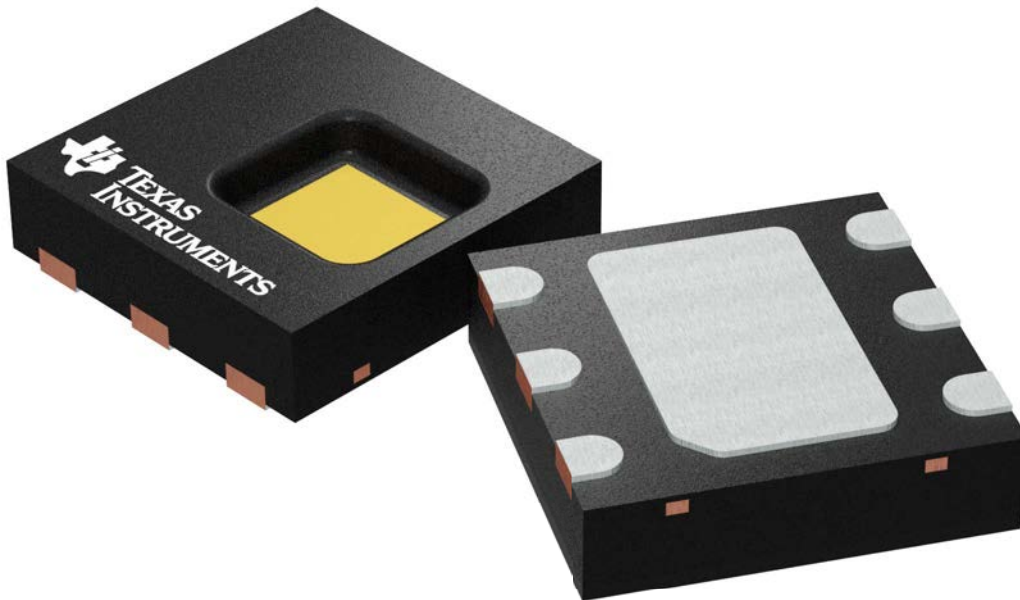
**TAPE AND REEL BOX DIMENSIONS**


\*All dimensions are nominal

Device	Package Type	Package Drawing	Pins	SPQ	Length (mm)	Width (mm)	Height (mm)
HDC2080DMBR	WSON	DMB	6	3000	335.0	335.0	32.0
HDC2080DMBT	WSON	DMB	6	250	336.6	336.6	41.3

**DMB 6**

**GENERIC PACKAGE VIEW**  
**WSO8 - 0.8 mm max height**  
PLASTIC SMALL OUTLINE - NO LEAD



Images above are just a representation of the package family, actual package may vary.  
Refer to the product data sheet for package details.

4212623/D

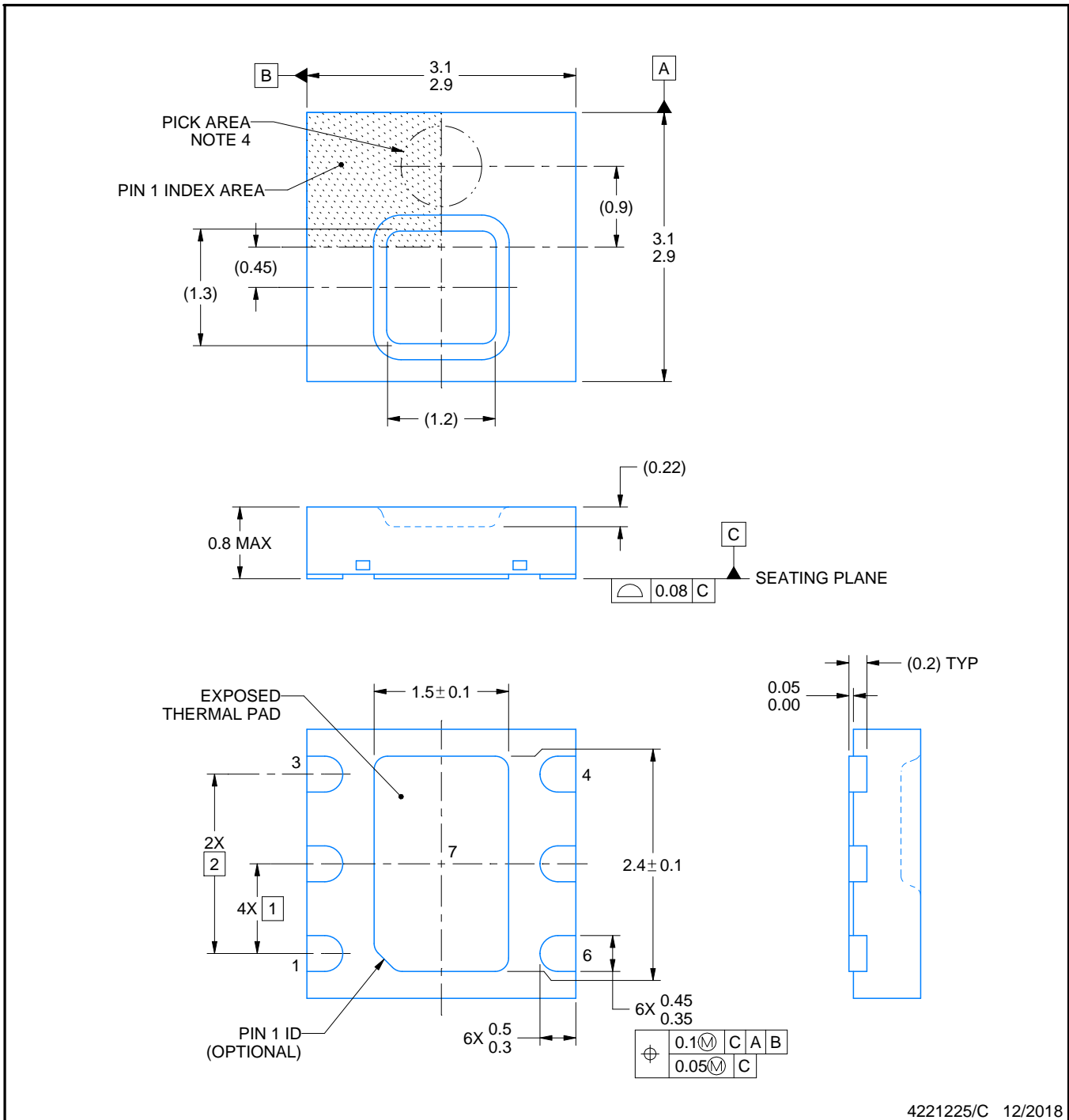
# DMB0006A



# PACKAGE OUTLINE

## WSON - 0.8 mm max height

PLASTIC SMALL OUTLINE - NO LEAD



4221225/C 12/2018

### NOTES:

1. All linear dimensions are in millimeters. Any dimensions in parenthesis are for reference only. Dimensioning and tolerancing per ASME Y14.5M.
2. This drawing is subject to change without notice.
3. The package thermal pad must be soldered to the printed circuit board for thermal and mechanical performance.
4. Pick and place nozzle  $\varnothing$  0.9 mm or smaller recommended.

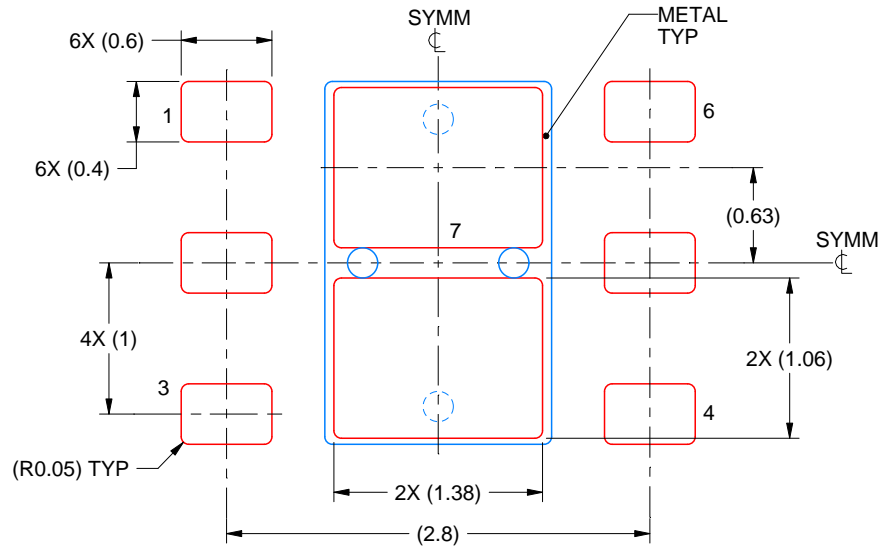


# EXAMPLE STENCIL DESIGN

DMB0006A

WSON - 0.8 mm max height

PLASTIC SMALL OUTLINE - NO LEAD



SOLDER PASTE EXAMPLE  
BASED ON 0.125 mm THICK STENCIL

EXPOSED PAD 7:  
81% PRINTED SOLDER COVERAGE BY AREA UNDER PACKAGE  
SCALE:20X

4221225/C 12/2018

NOTES: (continued)

7. Laser cutting apertures with trapezoidal walls and rounded corners may offer better paste release. IPC-7525 may have alternate design recommendations.



## IMPORTANT NOTICE AND DISCLAIMER

TI PROVIDES TECHNICAL AND RELIABILITY DATA (INCLUDING DATASHEETS), DESIGN RESOURCES (INCLUDING REFERENCE DESIGNS), APPLICATION OR OTHER DESIGN ADVICE, WEB TOOLS, SAFETY INFORMATION, AND OTHER RESOURCES "AS IS" AND WITH ALL FAULTS, AND DISCLAIMS ALL WARRANTIES, EXPRESS AND IMPLIED, INCLUDING WITHOUT LIMITATION ANY IMPLIED WARRANTIES OF MERCHANTABILITY, FITNESS FOR A PARTICULAR PURPOSE OR NON-INFRINGEMENT OF THIRD PARTY INTELLECTUAL PROPERTY RIGHTS.

These resources are intended for skilled developers designing with TI products. You are solely responsible for (1) selecting the appropriate TI products for your application, (2) designing, validating and testing your application, and (3) ensuring your application meets applicable standards, and any other safety, security, or other requirements. These resources are subject to change without notice. TI grants you permission to use these resources only for development of an application that uses the TI products described in the resource. Other reproduction and display of these resources is prohibited. No license is granted to any other TI intellectual property right or to any third party intellectual property right. TI disclaims responsibility for, and you will fully indemnify TI and its representatives against, any claims, damages, costs, losses, and liabilities arising out of your use of these resources.

TI's products are provided subject to TI's Terms of Sale ([www.ti.com/legal/termsofsale.html](http://www.ti.com/legal/termsofsale.html)) or other applicable terms available either on [ti.com](http://ti.com) or provided in conjunction with such TI products. TI's provision of these resources does not expand or otherwise alter TI's applicable warranties or warranty disclaimers for TI products.

Mailing Address: Texas Instruments, Post Office Box 655303, Dallas, Texas 75265  
Copyright © 2020, Texas Instruments Incorporated