

Tactile Switches

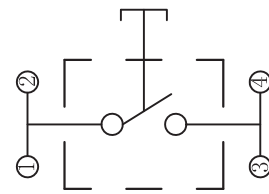
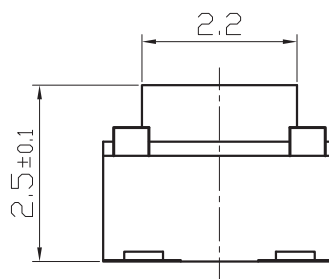
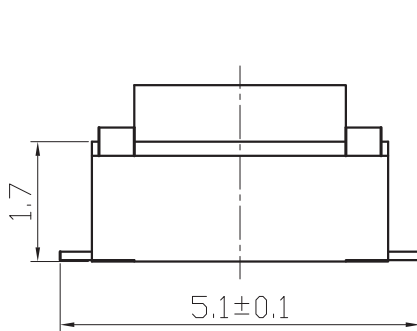
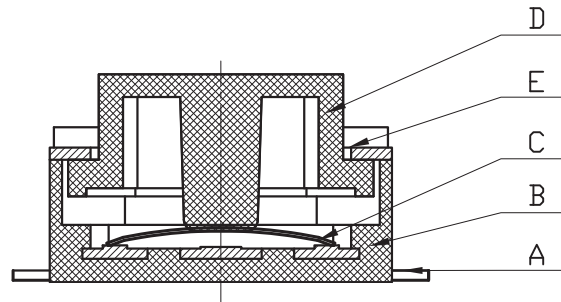
KLS7-TS3401 3x4mm Tact Switch (Straight)

Electrical:

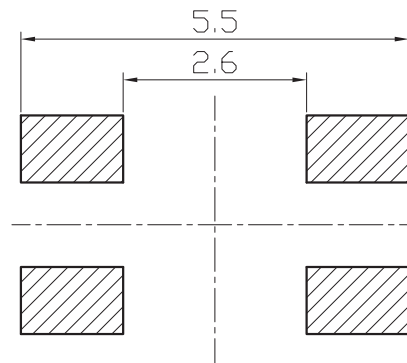
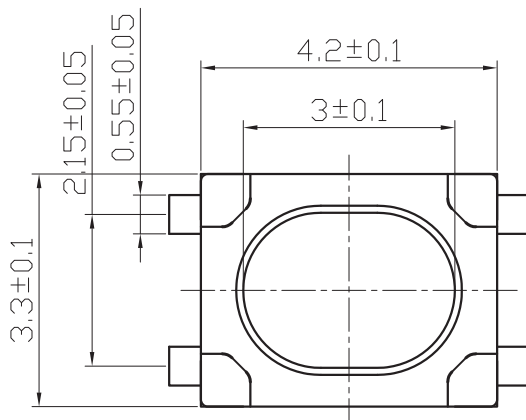
1. Rating: 50mA 12V DC
2. Contact Resistance: 100mΩ Max.
3. Insulation Resistance: 100MΩ Min, 100V DC
4. Dielectric voltage proof: 250V AC for 1min
5. Electrically Life: 100000 cycles Min.
6. Operating Force: 250±50gf
7. Environment temperature: -30°C~+80°C

Materials:

- A. Cards: Phosphor 0.12, Plated nickel silver
- B. Pedestal: LCP, White
- C. Shrapnel: Stainless steel
- D. Push button: LCP, White
- E. Cover: Stainless steel 0.2



原理图
SCHEMATIC



安装参考图
P.C.B layout

ORDER INFORMATION

Product NO.: KLS7-TS3401-2.5-250-B

Part Number

3x4mm Tact Switc

Packing: B-Bulk

Operating Force: 250(±50gf)

Height: 2.5mm