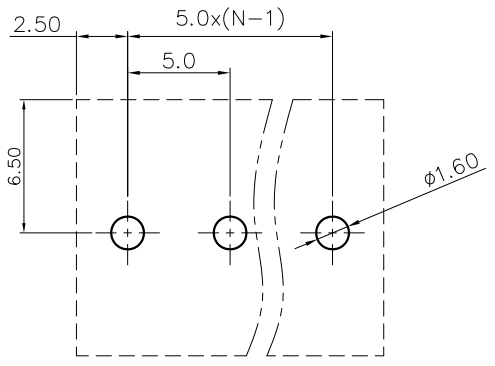
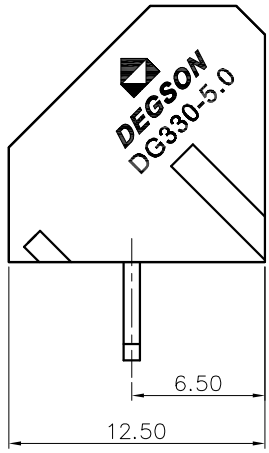
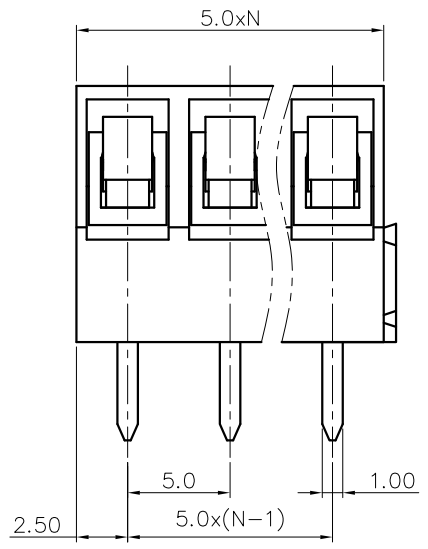
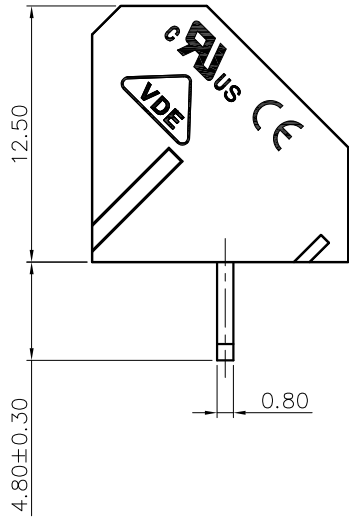
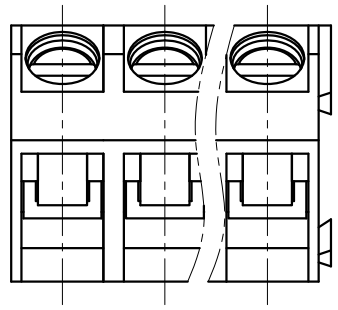


REVISION RECORD				
REV	ECN	DESCRIPTION	DRFT	DATE



PCB LAYOUT

NOTES1:

- UL Standard
- 1.Rated Voltage/Current : 300V / 15A
- 2.Torque Value : M2.5 , 3.54Lb.in
- 3.Wire Range : 22~12AWG

IEC Standard

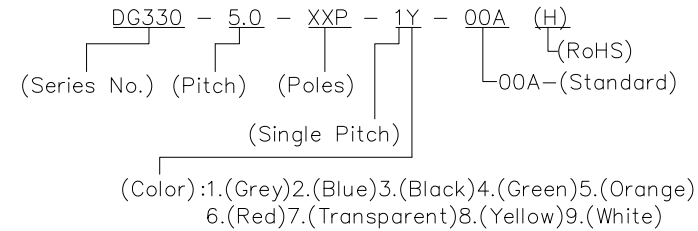
- 1.Rated Voltage/Current : 250V / 24A
- 2.Torque Value : M2.5 , 0.4N.m
- 3.Wire Range : 2.5mm<sup>2</sup>

NOTES2:

- 1.Dimension shall be interpreted per ASME Y14.5-2009
- 2.Pitch : 5.0mm, Poles : N=02~24P
- 3.Stripping length : 4~5mm
- 4.Withstanding Voltage : AC2000V/1Min.
- 5.Operating temperature: -40°C~+105°C
- 6.Undimensioned Tolerances:

Pitch range in mm		Nominal dimension range in mm					Tolerances	
To	Over	To	Over	To	Over	0.1/10	∠	
6	10	6	10	30	60	100	150	<
±0.15	±0.20	±0.30	±0.30	±0.50	±0.70	±1.00	±1.30	±2'

7.RoHS Compliance



DETACHED LISTS	PART NO.:	/			
	APPD:	/			
	CHKD:	/			
	DRFT:	/			
		DO NOT SCALE DRAWING		REV	DO
		SCALE 1:1		SHEET	1/1

宁波高松电子有限公司  
 NINGBO DEGSON ELECTRICAL CO., LTD

NAME: DG330-5.0-XXP-1Y-00A(H)

TITLE: CUSTOMER DRAWING

DRAWING NO.: /

MM (INCH)

REV

DO

SHEET 1/1

SCALE 1:1